



DELTA ELECTRONICS, INC.
www.delta.com.tw/industrialautomation

IABU Headquarters

Delta Electronics, Inc.
Taoyuan1

31-1, Xingbang Road, Guishan Industrial Zone,
Taoyuan County 33370, Taiwan, R.O.C.
TEL: 886-3-362-6301 / FAX: 886-3-362-7267

Asia

Delta Electronics (Jiang Su) Ltd.
Wujiang Plant3

1688 Jiangxing East Road,
Wujiang Economy Development Zone,
Wujiang City, Jiang Su Province,
People's Republic of China (Post code: 215200)
TEL: 86-512-6340-3008 / FAX: 86-512-6340-7290

Delta Greentech (China) Co., Ltd.

238 Min-Xia Road, Cao-Lu Industry Zone, Pudong, Shanghai,
People's Republic of China
Post code : 201209
TEL: 021-58635678 / FAX: 021-58630003

Delta Electronics (Japan), Inc.

Tokyo Office

Delta Shibadaimon Building, 2-1-14
Shibadaimon, Minato-Ku, Tokyo, 105-0012,
Japan
TEL: 81-3-5733-1111 / FAX: 81-3-5733-1211

Delta Electronics (Korea), Inc.

234-9, Duck Soo Building 7F, Nonhyun-Dong,
Kangnam-Gu, Seoul, Korea 135-010
TEL: 82-2-515-5305 / FAX: 82-2-515-5302

Delta Electronics (Singapore) Pte. Ltd.

8 Kaki Bukit Road 2, #04-18 Ruby Warehouse Complex,
Singapore 417841
TEL: 65-6747-5155 / FAX: 65-6744-9228

Delta Power Solutions (India) Pte. Ltd.

Plot No. 28, Sector-34, EHTP
Gurgaon-122001 Haryana, India
TEL: 91-124-416-9040 / FAX: 91-124-403-6045

America

Delta Products Corporation (USA)

Raleigh Office

P.O. Box 12173, 5101 Davis Drive,
Research Triangle Park, NC 27709, U.S.A.
TEL: 1-919-767-3813 / FAX: 1-919-767-3969

Delta Products Corporation (Brazil)

Sao Paulo Office

Rua Itapeva, N° 26, 3° andar, Bela vista
ZIP: 01332-000 - São Paulo - SP - Brasil
TEL : 55-11-3568-3875 / FAX : 55-11-3568-3865

Europe

Deltronics (The Netherlands) B.V.

Eindhoven Office

De Witbogt 15, 5652 AG Eindhoven, The Netherlands
TEL: 31-40-2592850 / FAX: 31-40-2592851

*Slight variations in appearance and specifications may exist between the catalogue and the actual product.
We reserve the right to change the information in this catalogue without prior notice.



ASDA-B2 **AC Servo Motor and Drive**

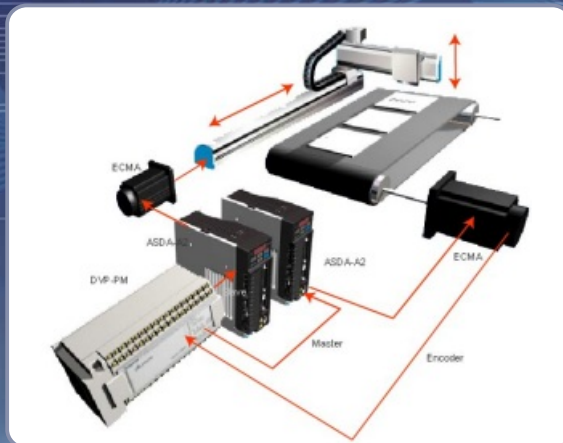
High Precision! High Response! Cost Effective!!

To meet the requirements of general-purpose machine tools and enhance the competitive advantage in servo system market, Delta Electronics, Inc. is pleased to announce that the new high-performance and cost-effective ASDA-B2 series servo motors and drives has launched into the market.

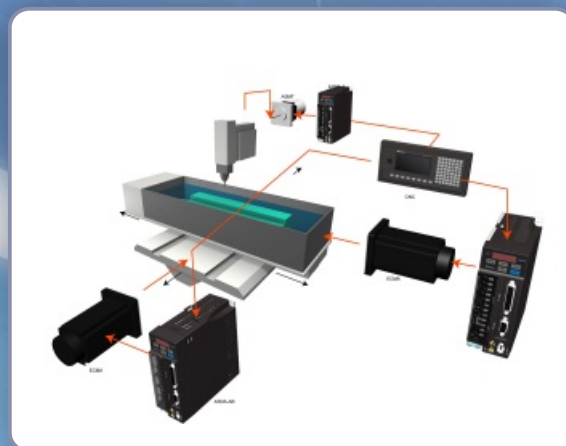
The power rating of the ASDA-B2 series is offered from 0.1kW to 3kW. The superior properties of this series emphasize on "built-in generic functions for general-purpose applications" and "avoiding variable costs from mechatronics integration. When Delta's ASDA-B2 series is in use, the users can conveniently complete assembly, wiring and operation setups. In addition, in switching from other brands to Delta's ASDA-B2 series, outstanding quality and features, and complete product lineup make the replacement is easy and quick to achieve. Using Delta ASDA-B2 series, not only the wiring and operation becomes much easier, and the requirements of general-purpose machine tools for the market could be satisfied as well. In addition, the customized solutions are available on request for different industries so that help ASDA-B2 series to be widely popular and always in demand by the customers in the field of industrial automation.



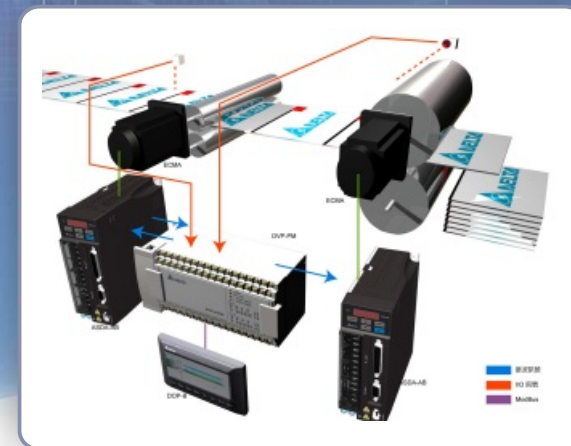
Transportation Machine



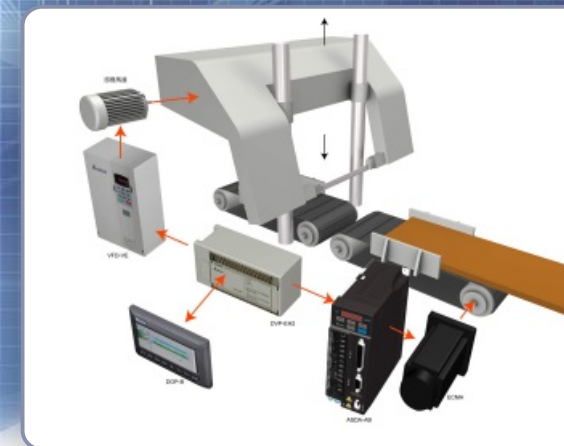
Electro-discharge Machine



Cutting Machine



Sawing Machine



Contents

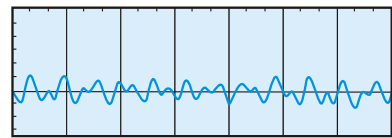
	Pag
1.Introduction of ASDA-B2 Series	1
Features	
Model Explanation	
Product Line-up	
2. ASDA-B2 Series Servo Drives	7
Part Names and Functions	
Standard Connection Examples	
Regenerative Resistor	
Safety Information	
Specifications	
Dimensions	
4. ECMA Series Servo Motors	17
Specifications	
Dimensions	
Speed-Torque Curve (T-N Curves)	
5. Optional Accessories	23
6. Servo Drive, Servo Motor and Accessories Combinations	29

Features

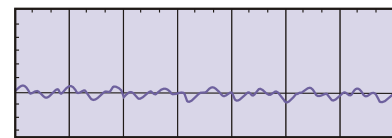
● Implement High Precision Positioning Control

- High-resolution encoder with 17-bit (160,000 p/rev) is equipped as a standard feature which satisfies the application needs of high precision positioning control and stable rotation at low speed.
- New 17-bit resolution encoder can reduce cogging torque to enhance the precision of the motor.

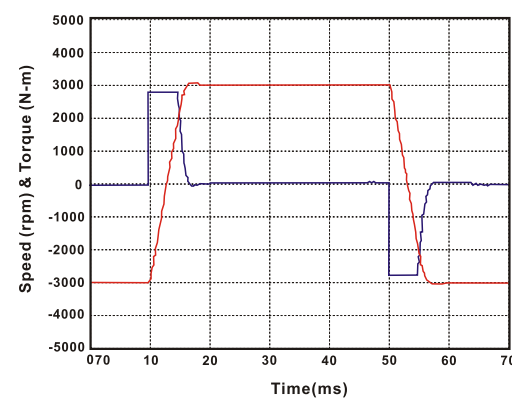
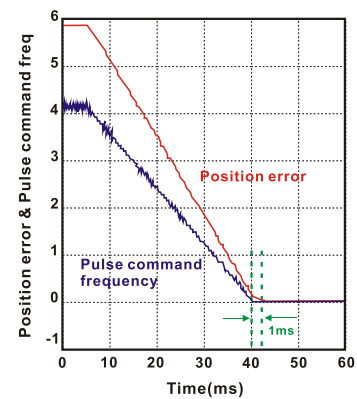
Torque ripple of 2500ppr resolution encoder



Torque ripple of 17-bit resolution encoder



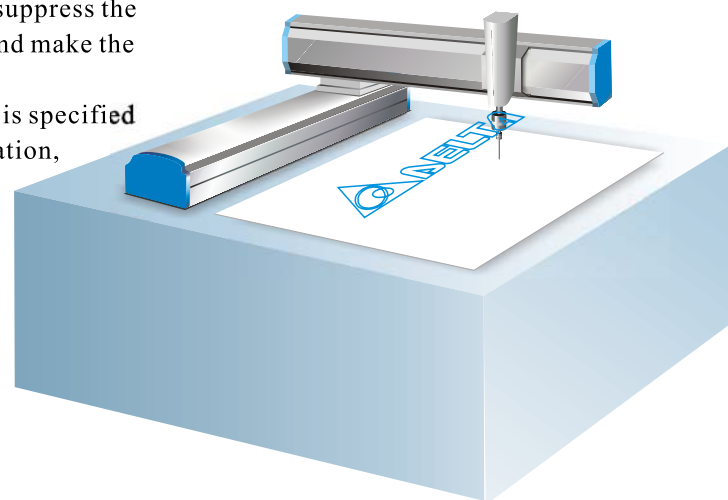
- Outstanding response characteristic: Up to 550kHz frequency response and settling time is below 1ms.
- 10ms acceleration time from -3000r/min to 3000r/min when running without load.



This example is frame size 60mm, 400W servo motor

● Satisfy Various Kinds Of Demands In The Industry

- Built-in position, speed and torque three control modes (speed and torque mode could be controlled via internal parameters or analog voltage command).
- High-speed line receiver command (4Mpps) is acceptable for high precision positioning control.
- Two auto notch filters are provided to suppress the mechanical resonance automatically and make the system operate more smoothly.
- Lead friction compensation parameter is specified for the application of circular interpolation, Z-axis motion and ball screw, etc. so as to reduce the loading of the controller.
- For bar feeder, etc. equipment requiring high torque output, motor protection parameter is offered to ensure that the mechanical system is hard to be damaged.



● Offer Easy-To-Install Solution For Simple Start-Up

- Existing power cables and encoder cables for ASDA series could be used still. When upgrading, there is no need to purchase new accessories.
- Servo motor provides brake, oil seal etc. optional configurations for the requirements of different applications.
- The control circuit and main power circuit is separated, safety is increased and maintenance is much easier.
- 750W and above servo drive is built-in with regenerative resistor, significantly save the wiring and cost.

Power of control circuit and main power circuit is separated.



Supports two analog signal outputs

CH2
CH1

Built-in with regenerative resistor

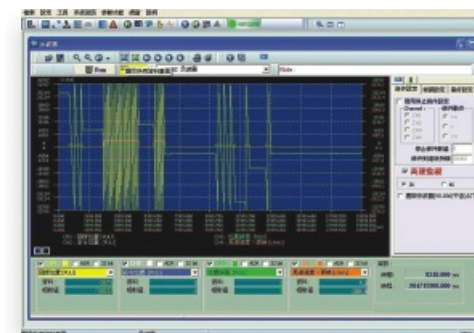
● Fulfill Easy-To-Use Requirements For Versatile Operation

- Motor sizing software is offered for the customers to conduct the estimation of the equipment conveniently.
- ASDA-Soft configuration software (tuning software) is provided for the customers to meet the performance requirements quickly.
- Easy-to-use digital keypad is ideal for setting parameters and monitoring the servo drive and motor directly.
- Specific software communication cable ASD-CNUS0A08(Optional) for direct connection to PC increases communication quality and the convenience for operation. (please refer to optional accessories on catalogue page 24)

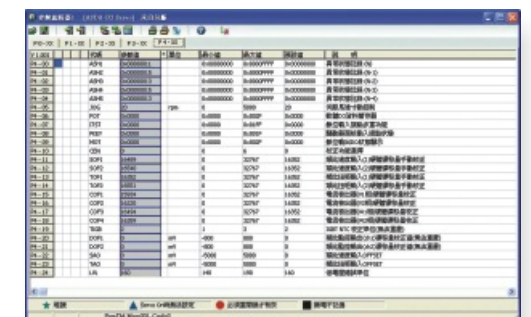
Charge LED

LED Display

Operation Panel



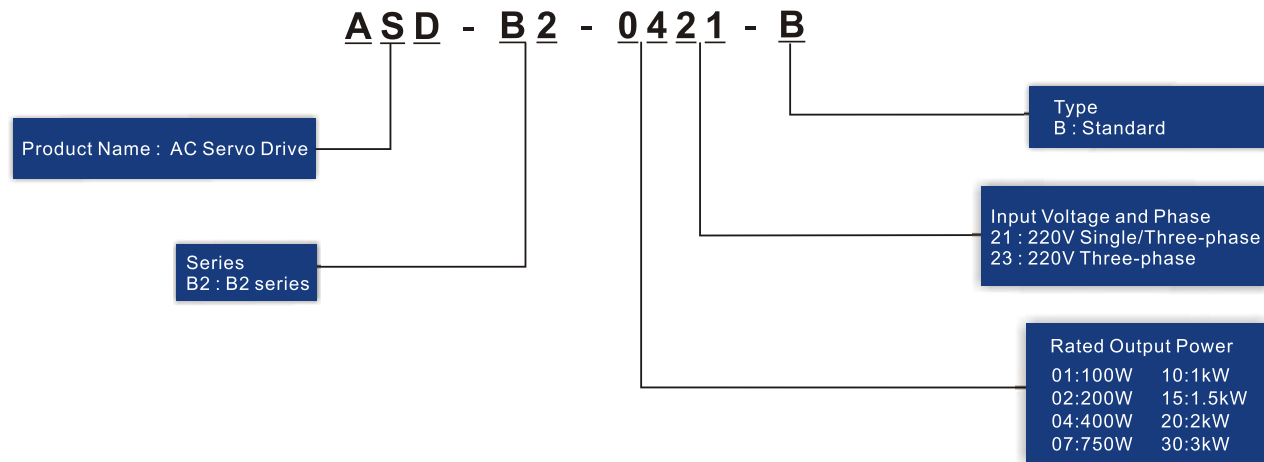
- 4 channels on-line monitoring function (similar to a digital oscilloscope) is available. The monitoring data could be 16-bit (4 channels) and 32-bit (2channels) data.



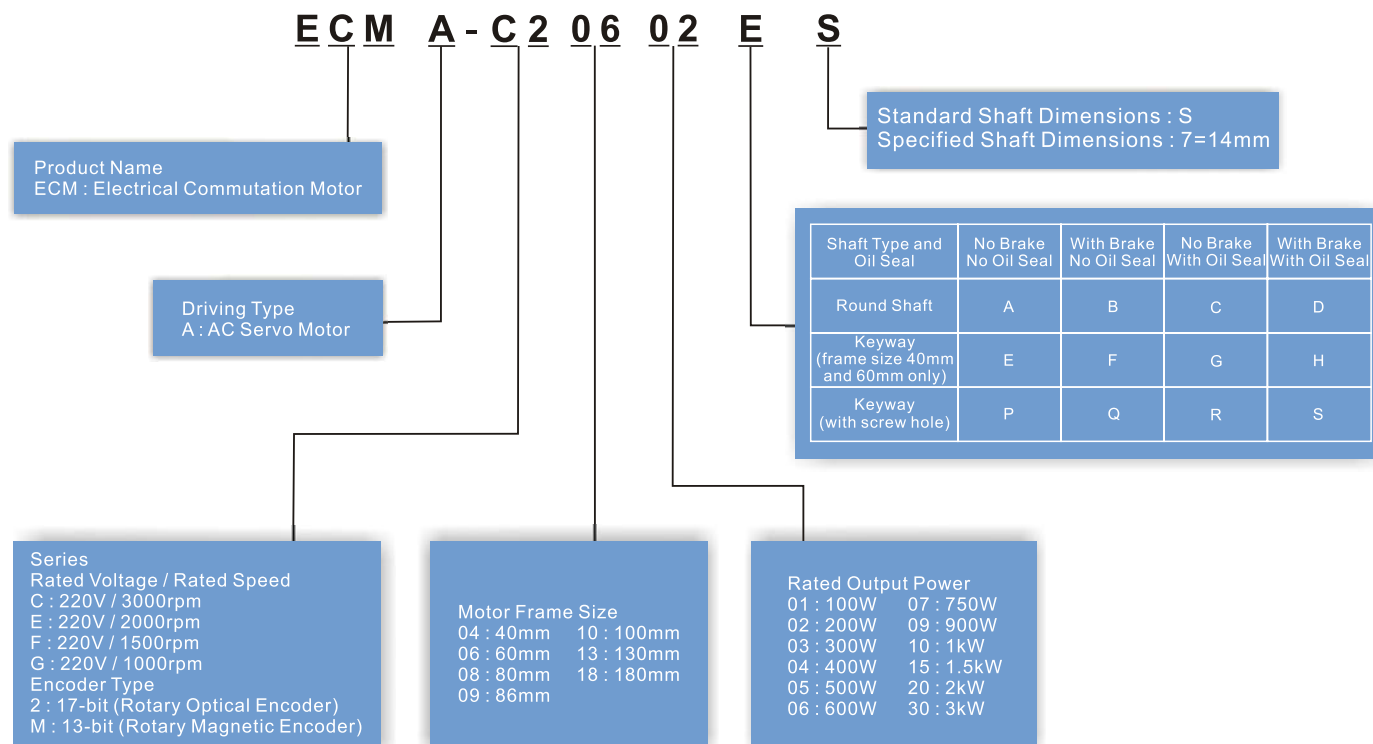
- Multi-functional parameter editor function helps the users to edit, modify, upload / download and print desired parameters in real-time.

Model Explanation

ASDA-B2 Series Servo Drive



ECMA Series Servo Motor



Note:
Rotary Magnetic Encoder will be available gradually from March, 2010

Product Line-up

Servo Drive								
	0.1kW	0.2kW	0.4kW	0.75kW	1.0kW	1.5kW	2kW	3kW
	ASD-B2-0121-B	ASD-B2-0221-B	ASD-B2-0421-B	ASD-B2-0721-B	ASD-B2-1021-B	ASD-B2-1521-B	ASD-B2-2023-B	ASD-B2-3023-B

Servo Motor								
	ECMA-C20401□S	ECMA-C20602□S	ECMA-C20604□S	ECMA-C20807□S	ECMA-C21010□S	ECMA-E21315□S	ECMA-C21020□S	ECMA-E21830□S
			ECMA-CM0604PS ECMA-C20804□7 ECMA-E21305□S ECMA-G21303□S	ECMA-G21306□S ECMA-GM1306PS ECMA-C20907□S	ECMA-E21310□S ECMA-G21309□S ECMA-GM1309PS ECMA-C20910□S		ECMA-E21320□S ECMA-E21820□S	ECMA-F21830□S

Note: The boxes (□) in the servo motor model names are for optional configurations (keyway, brake and oil seal).

Part Names and Functions

LED Display

- The 5 digit, 7 segment LED displays the servo status or fault codes.

Charge LED

- A lit LED indicates that either power is connected to the servo drive or a residual charge is present in the drive's internal power components.

Operation Panel

- Used function keys to perform status display, monitor and diagnostic, function and parameter setting. Function Keys:
 MODE : Press this key to select/change mode
 SHIFT : Press this key to shift cursor to the left
 ▲ : Press this key to increase values on the display
 ▼ : Press this key to decrease values on the display
 SET : Press this key to store data

Control Circuit Terminal (L1c, L2c)

- Used to connect 100~230Vac, 50/60Hz single-phase or three-phase VAC supply.

Main Circuit Terminal (R, S, T)

- Used to connect 200~230Vac, 50/60Hz commercial power supply.

Servo Motor Output (U, V, W)

- Used to connect servo motor. Never connect the output terminal to main circuit power as the AC drive may be destroyed beyond repair if incorrect cables are connected to the output terminals.

Internal & External Regenerative Resistor Terminal

1. When using an external resistor, connect it to P[⊕] and C, and ensure an open circuit between P[⊕] and D.
2. When using an internal resistor, ensure the circuit is closed between P[⊕] and D, and the circuit is open between P[⊕] and C.
3. When using external braking unit, connect braking unit to P[⊕] and ⊖, and ensure an open circuit between P[⊕] and D, and P[⊕] and C.

Ground Terminal

- Used to connect grounding wire of power supply and servo motor.



I/O Interface

- Used to connect Delta's DVP series PLC or other external controllers for controlling I/O signals.

Motor Encoder Interface

- Used to connect the encoder of the servo motor

Serial Communication Port

- Used to connect PLC, HMI, etc. controllers for RS-485 / RS-232 serial communication.

Analog Voltage Output Terminal

- Used to provide two analog monitor outputs, MON1 and MON2.

Heatsink

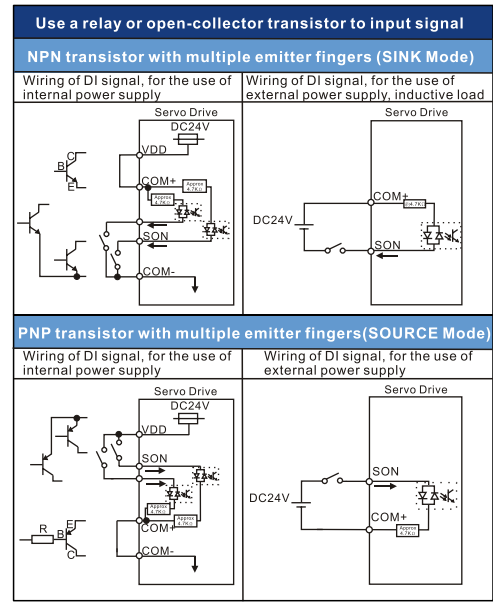
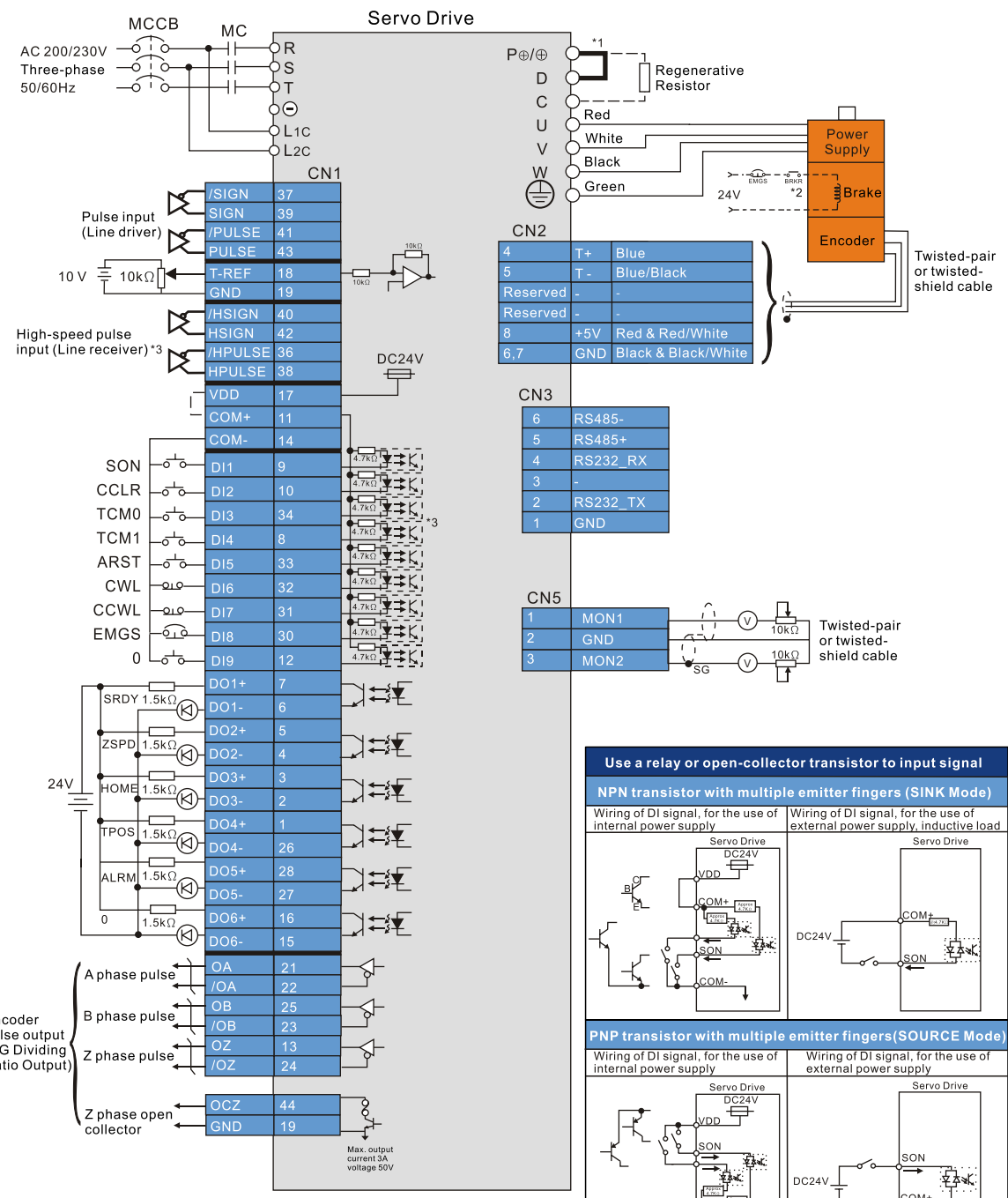
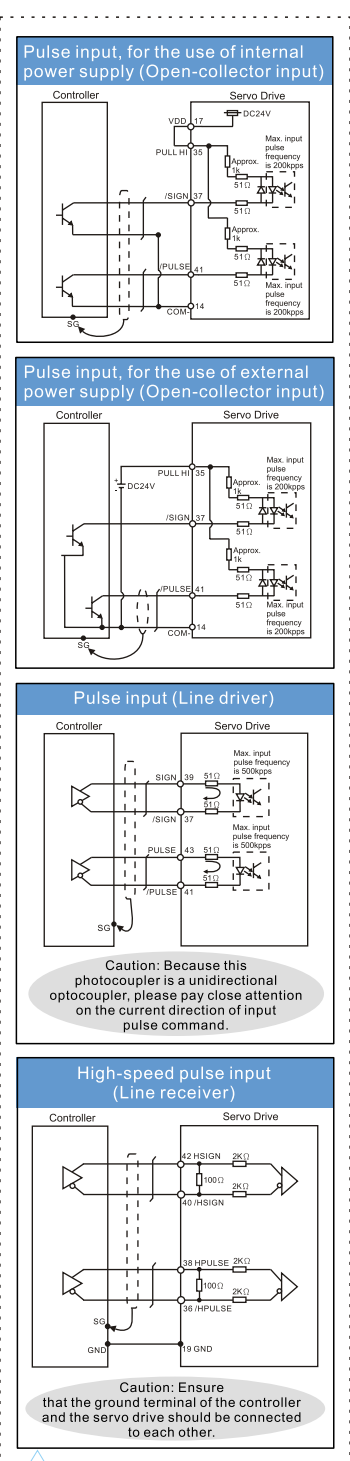
- Used to secure servo drive and for heat dissipation.



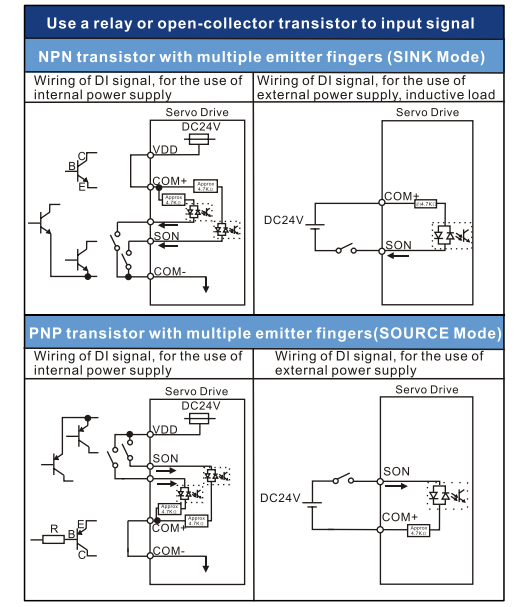
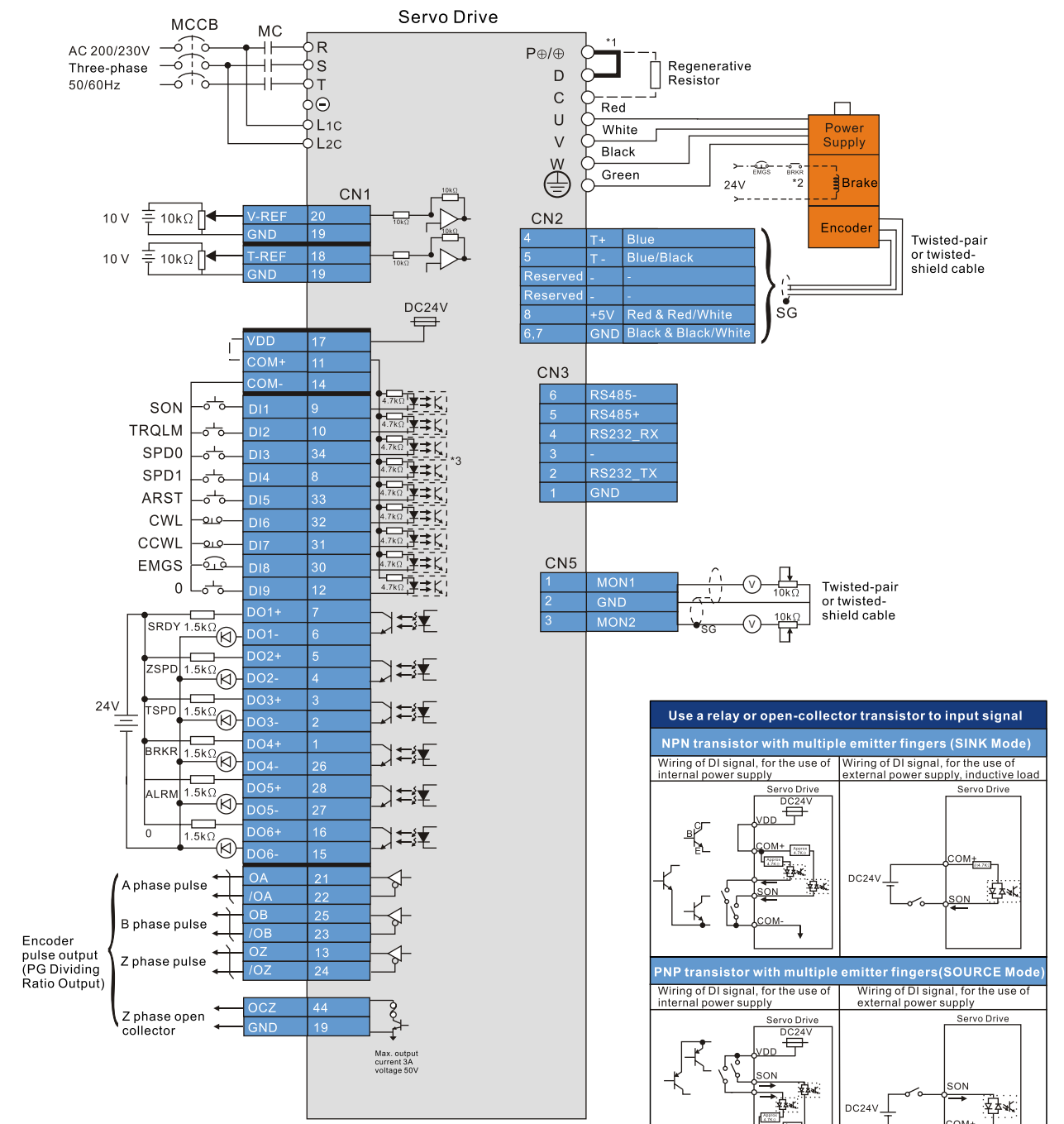
Standard Connection Example

Position (Pt) Control Mode (for Pulse Command Input)

Speed (S) Control Mode



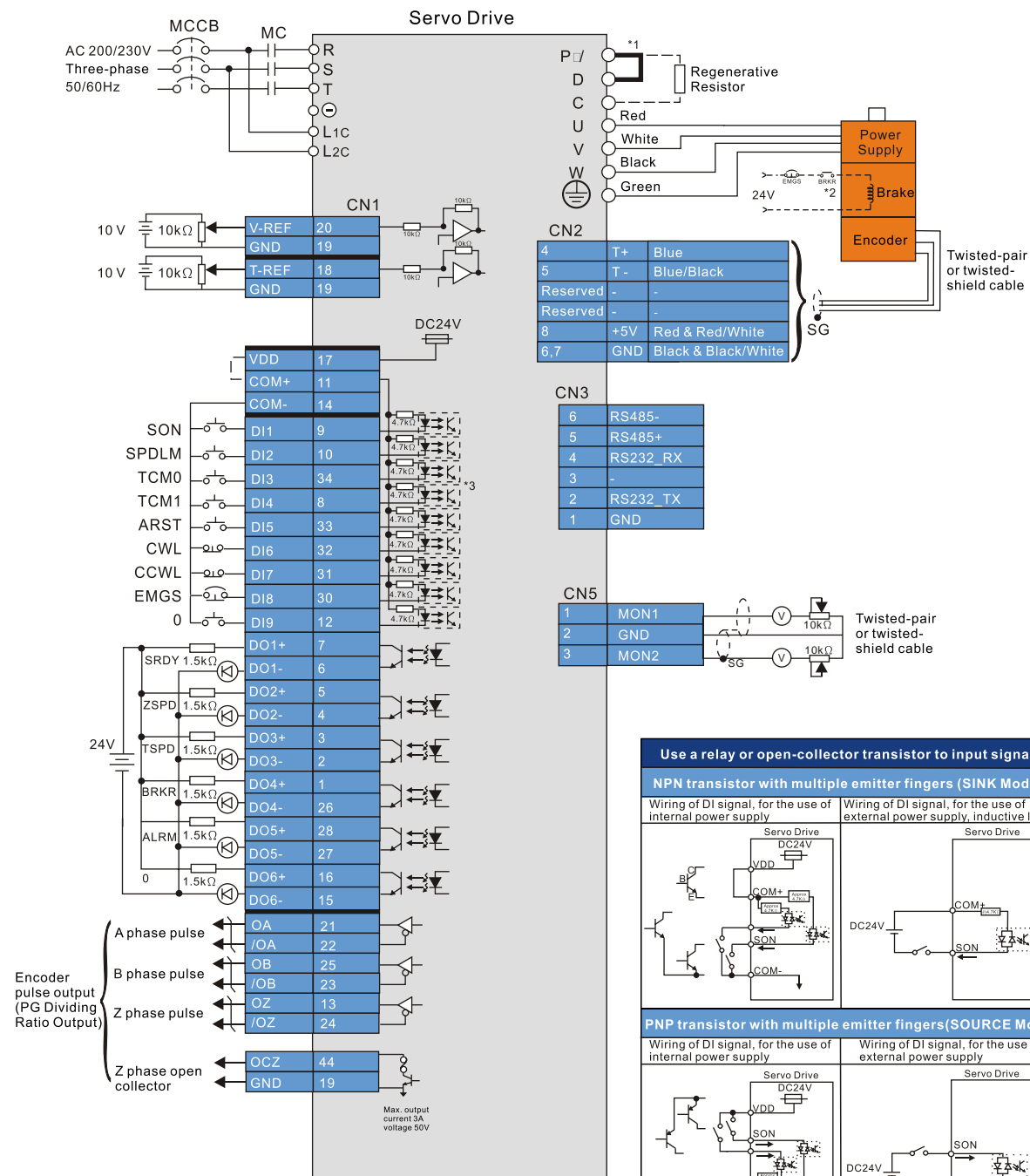
Caution: Do not use dual power supply. Failure to observe this caution may result in damage to the servo drive and servo motor.



Caution: Do not use dual power supply. Failure to observe this caution may result in damage to the servo drive and servo motor.

Standard Connection Example

Torque (T) Control Mode



NOTE:
 *1. 400W and below drives do not provide built-in regenerative resistor.
 *2. The coil of brake has no polarity.
 *3. Please refer to SINK / SOURCE modes

Caution: Do not use dual power supply. Failure to observe this caution may result in damage to the servo drive and servo motor.

Regenerative Resistor

Servo Drive (kW)	Recommended Specifications for Built-in Regenerative Resistor		Recommended Specifications for External Regenerative Resistor	Min. Allowable Resistance (Ohm)
	Resistance (Ohm) (parameter P1-52)	Capacity (Watt) (parameter P1-53)		
0.1	--	--	80Ω	60Ω
0.2	--	--	80Ω	60Ω
0.4	--	--	80Ω	60Ω
0.75	100Ω	60W	80Ω	60Ω
1.0	40Ω	60W	40Ω	30Ω
1.5	40Ω	60W	40Ω	30Ω
2.0	40Ω	60W	30Ω	15Ω
3.0	40Ω	60W	30Ω	15Ω

Note:

- ◆ There is no built-in regenerative resistor for 400W and below ASDA-B2 series servo drive.
- ◆ When the fault, ALE05 (Regeneration Error) occurs, please increase the regenerative resistor capacity or decrease the regenerative resistor resistance (the regenerative resistor resistance should not be less than the minimum allowable resistance listed in the above table).
- ◆ If the situation could not be improved after increasing the regenerative resistor capacity or decreasing the regenerative resistor resistance, please purchase regenerative resistor module.
- ◆ When combining multiple small-capacity regenerative resistors in parallel to increase the regenerative resistor capacity, make sure that the total resistance value of the regenerative resistors should not be less than the minimum allowable resistance listed in the above table.

Safety Information

Global Standards	ASDA-B2 series is designed to fully comply with demanding international standards, i.e. IEC and EN, etc. for all fields of industrial automation technology.	
EMS standard	EN61000-4-6	Level 3
	EN61000-4-3	Level 3
	EN61000-4-2	Level 2 and 3
	EN61000-4-4	Level 3
	EN61000-4-8	Level 4
Conducted & Radiated Emissions	EN61000-4-5	Level 3
	Complies with EN550011 Class A Group 1, with external EMC filter	
CE Marking	CE recognized. Complies with Directive 2006/95/EC of the European Parliament and EMC Directive 2004/108/EC.	
Protection Degree	IEC/EN50178, IEC/EN60529 IP20	
Vibration	1G less than 20Hz, 0.6G 20 to 50Hz. Complies with IEC/EN50178	
Shock	15gn 11ms. Complies with IEC/EN600028-2-27	
Pollution Degree	Degree 2. Complies with IEC/EN61800-5-1	
Ambient Temperature	Operating: 0°C~55°C (If operating temperature exceeds the specifications, forced cooling will be required.) Storage: -20°C~65°C	
Cooling Type	ASD-B2-0121-B, ASD-B2-0221-B, ASD-B2-0421-B, ASD-B2-0721-B Natural Air Circulation ASD-B2-1021-B, ASD-B2-1521-B, ASD-B2-2023-B, ASD-B2-3023-B Fan Cooling	
Altitude	Altitude 1000m or lower above sea level	

IEC: International Electrotechnical Commission
 EN: Europäischen Normen
 EMC: Electromagnetic Compatibility
 IP: Ingress Protection Ratings

Specifications

ASDA-B2 Series		100W	200W	400W	750W	1kW	1.5kW	2kW	3kW
		01	02	04	07	10	15	20	30
Power Supply	Phase / Voltage	Three-phase : 170 ~ 255VAC · 50/60Hz 5%						Three-phase 170~255VAC · 50/60Hz 5%	
	Continuous Output Current	0.9 Arms	1.55 Arms	2.6 Arms	5.1 Arms	7.3 Arms	8.3 Arms	13.4 Arms	19.4 Arms
Cooling System		Natural Air Circulation			Fan Cooling				
Encoder Resolution / Feedback Resolution		17-bit (160,000 p/rev)							
Control of Main Circuit		SVPWM Control							
Tuning Modes		Auto / Manual							
Dynamic Brake		None			Built-in				
Position Control Mode	Max. Input Pulse Frequency	Max. 500Kpps (Line driver) (low speed) / Max. 4Mpps (Line receiver) (high speed) Max. 200Kpps (Open collector)							
	Pulse Type	Pulse + Direction : A phase + B phase : CCW pulse + CW pulse							
	Command Source	External pulse train / Internal parameters							
	Smoothing Strategy	Low-pass and Moving filter							
	Electronic Gear	Electronic gear N/M multiple N: 1 ~ (2 ²⁶ -1), M: 1 ~ (2 ³¹ -1) (1/50 < N/M < 25600)							
	Torque Limit Operation	Set by parameters							
	Feed Forward Compensation	Speed Control Mode							
Speed Control Mode	Analog Input Command	Voltage Range	0 ~ ±10 V _{DC}						
		Input Resistance	10K						
		Time Constant	2.2 us						
	Speed Control Range ^{*1}	1:5000							
	Command Source	External analog signal / Internal parameters							
	Smoothing Strategy	Low-pass and S-curve filter							
	Torque Limit Operation	Set by parameters or via Analog input							
	Frequency Response Characteristic	Maximum 500Hz							
	Speed Fluctuation Rate ^{*2}	0.01% or less at load fluctuation 0 to 100% (at rated speed)							
		0.01% or less at power fluctuation ±10% (at rated speed)							
0.01% or less at ambient temperature fluctuation 0 °C to 50 °C (at rated speed)									
Torque Control Mode	Analog Input Command	Voltage Range	0 ~ ±10 V _{DC}						
		Input Resistance	10K						
		Time Constant	2.2 us						
	Command Source	External analog signal / Internal parameters							
	Speed Limit Operation	Parameter Setting or via Analog input							

ASDA-B2 Series		100W	200W	400W	750W	1kW	1.5kW	2kW	3kW
		01	02	04	07	10	15	20	30
Analog Monitor Output		Monitor signal can set by parameters (Output voltage range: ±8V)							
Digital Input/Output	Input	Servo On, Reset, Gain switching, Pulse clear, Zero speed CLAMP, Speed/Torque limit enabled, Emergency stop, Forward / Reverse inhibit limit, Position / Speed mode switching, Speed / Torque mode switching, Torque / Position mode switching, Feed step selection input, Feed step mode input, Auto run input, Electronic gear ratio (Numerator) selection							
	Output	Encoder signal output (A, B, Z Line Driver / Z Open collector) Servo ready, Servo On, At Zero speed, At Speed reached, At Positioning completed, At Torques limit, Servo alarm (Servo fault) activated, Electromagnetic brake control, Homing completed, Output overload warning, Servo warning activated, Internal position command completed							
Protective Functions		Overcurrent, Overvoltage, Undervoltage, Regeneration error, Overload, Overspeed, Abnormal pulse control command, Excessive deviation, Watch dog execution time out, Encoder error, Adjustment error, Emergency stop activated, Reverse/ Forward limit switch error, IGBT temperature error, Memory error, DSP communication error, Serial communication error, Input power phase loss, Serial communication time out, Command write-in error, terminals with short circuit protection (U, V, W, CN1, CN2, CN3 terminals)							
Communication Interface		RS-232 / RS-485 / CANopen / USB							
Environment	Installation Site	Indoor location (free from direct sunlight), no corrosive liquid and gas (far away from oil mist, flammable gas, dust)							
	Altitude	Altitude 1000m or lower above sea level							
	Atmospheric Pressure	86kPa ~ 106kPa							
	Operating Temperature	0°C ~ 55°C (If operating temperature is above 45°C, forced cooling will be required)							
	Storage Temperature	-20°C ~ 65°C							
	Humidity	0 to 90% (non-condensing)							
	Vibration	20Hz以下 9.80665m/s ² (1G) · 20 ~ 50Hz 5.88m/s ² (0.6G)							
	IP Rating	IP20							
	Power System	TN System ^{*3}							
	Approvals	IEC/EN 61800-5-1  							

Footnote:

*1 Rated rotation speed: When full load, speed ratio is defined as the minimum speed (the motor will not pause).

*2 When command is rated rotation speed, the speed fluctuation rate is defined as: (Empty load rotation speed - Full load rotation speed) / Rated rotation speed

*3 TN system: A power distribution system having one point directly earthed, the exposed conductive parts of the installation being connected to that points by protective earth conductor.





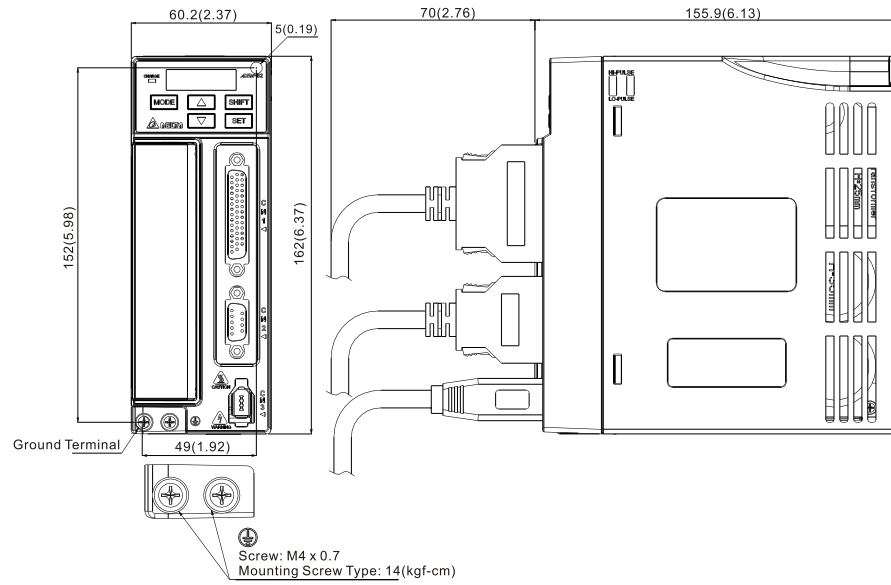
ASDA-B2 AC Servo Motor and Drive

220V



Dimensions

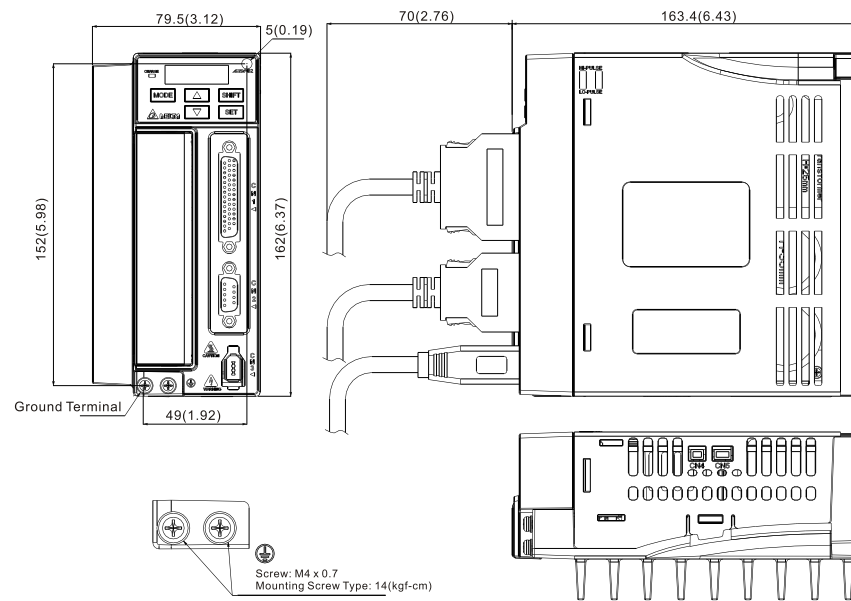
100W/200W/400W



Weight
1.07 (2.36)

NOTE 1)Dimensions are in millimeters (inches); Weights are in kilograms (kg) and (pounds (lbs)).
2)Dimensions and weights of the servo drives may be revised without prior notice.

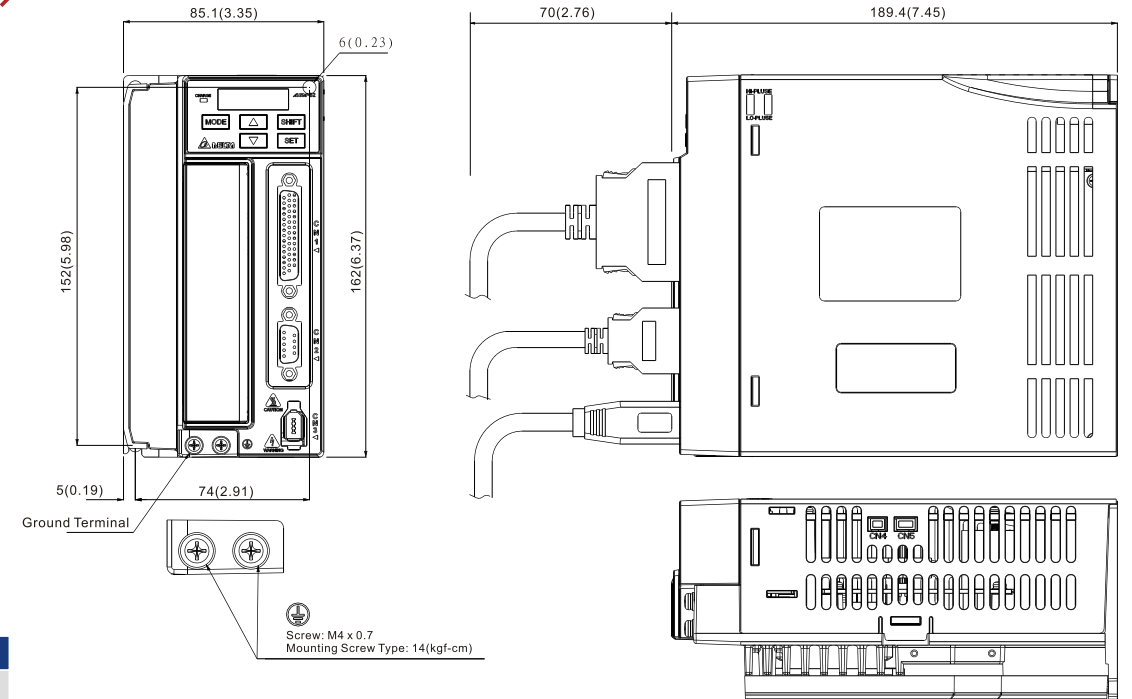
750W



Weight
1.54 (3.40)

NOTE 1)Dimensions are in millimeters (inches); Weights are in kilograms (kg) and (pounds (lbs)).
2)Dimensions and weights of the servo drives may be revised without prior notice.

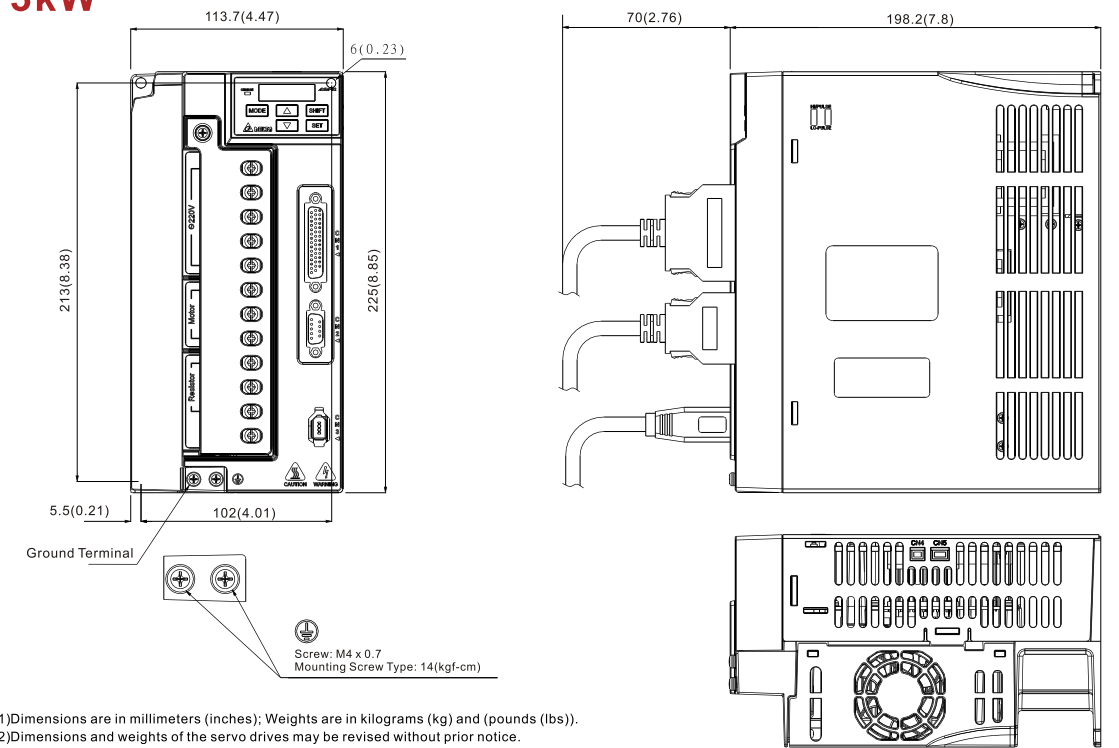
1kW/1.5kW



Weight
1.72 (3.79)

NOTE 1)Dimensions are in millimeters (inches); Weights are in kilograms (kg) and (pounds (lbs)).
2)Dimensions and weights of the servo drives may be revised without prior notice.

2kW/3kW



Weight
2.67 (5.88)

NOTE 1)Dimensions are in millimeters (inches); Weights are in kilograms (kg) and (pounds (lbs)).
2)Dimensions and weights of the servo drives may be revised without prior notice.

ECMA Specifications

Low Inertia Series

Model: ECMA Series	C204		C206		C208		C209		C210	
	01	02	04	04	07	07	10	10	20	
Rated output power (kW)	0.1	0.2	0.4	0.4	0.75	0.75	1.0	1.0	2.0	
Rated torque (N-m) ^{*1}	0.32	0.64	1.27	1.27	2.39	2.39	3.18	3.18	6.37	
Maximum torque (N-m)	0.96	1.92	3.82	3.82	7.16	7.14	8.78	9.54	19.1	
Rated speed (r/min)	3000		3000		3000		3000		3000	
Maximum speed (r/min)	5000		5000		3000		5000		5000	
Rated current (A)	0.90	1.55	2.60	2.60	5.10	3.66	4.25	7.30	12.05	
Maximum current (A)	2.70	4.65	7.80	7.24	15.3	11	12.37	21.9	36.15	
Power rating (kW/s)	27.7	22.4	57.6	22.1	48.4	29.6	38.6	38.1	90.6	
Rotor moment of inertia (× 10 ⁻⁴ kg·m ²)(Without brake)	0.037	0.177	0.277	0.68	1.13	1.93	2.62	2.65	4.45	
Mechanical time constant (ms)	0.75	0.80	0.53	0.73	0.62	1.72	1.20	0.74	0.61	
Torque constant-KT (N-m/A)	0.36	0.41	0.49	0.49	0.47	0.65	0.75	0.44	0.53	
Voltage constant-KE (mV/(r/min))	13.6	16.0	17.4	18.5	17.2	27.5	24.2	16.8	19.2	
Armature resistance (Ohm)	9.30	2.79	1.55	0.93	0.42	1.34	0.897	0.20	0.13	
Armature inductance (mH)	24.0	12.07	6.71	7.39	3.53	7.55	5.7	1.81	1.50	
Electrical time constant (ms)	2.58	4.30	4.30	7.96	8.36	5.66	6.35	9.30	11.4	
Insulation class	Class A (UL), Class B (CE)									
Insulation resistance	>100MΩ · DC 500V									
Insulation strength	1500V AC, 60 seconds									
Weight (kg) (without brake)	0.5	1.2	1.6	2.1	3.0	2.9	3.8	4.3	6.2	
Weight (kg) (with brake)	0.8	1.5	2.0	2.9	3.8	3.69	5.5	4.7	7.2	
Max. radial shaft load (N)	78.4	196	196	245	245	245	245	490	490	
Max. thrust shaft load (N)	39.2	68	68	98	98	98	98	98	98	
Power rating (kW/s) (with brake)	25.6	21.3	53.8	22.1	48.4	29.3	37.9	30.4	82.0	
Rotor moment of inertia (× 10 ⁻⁴ kg·m ²) (with brake)	0.04	0.19	0.30	0.73	1.18	1.95	2.67	3.33	4.95	
Mechanical time constant (ms) (with brake)	0.81	0.85	0.57	0.78	0.65	1.74	1.22	0.93	0.66	
Brake holding torque [Nt-m (min)]	0.3	1.3	1.3	2.5	2.5	2.5	2.5	8.0	8.0	
Brake power consumption (at 20C) [W]	7.2	6.5	6.5	8.2	8.2	8.2	8.2	18.5	18.5	
Brake release time [ms (Max)]	5	10	10	10	10	10	10	10	10	
Brake pull-in time [ms (Max)]	25	70	70	70	70	70	70	70	70	
Vibration grade (μm)	15									
Operating temperature (°C)	0 ~ 40									
Storage temperature (°C)	-10 ~ 80									
Operating humidity	20 ~ 90%RH (non-condensing)									
Storage humidity	20 ~ 90%RH (non-condensing)									
Vibration capacity	2.5G									
IP Rating	IP65 (when waterproof connectors are used, or when an oil seal is used to be fitted to the rotating shaft (an oil seal model is used))									
Approvals										

*1 Rate torque values are continuous permissible values at 0~40°C ambient temperature when attaching with the sizes of heatsinks listed below:
 *2 For the specifications of the motors with rotary magnetic encoders, please refer to the corresponding standard models.
 ECMA-__04 / 06 / 08 : 250mm x 250mm x 6mm
 ECMA-__10 : 300mm x 300mm x 12mm
 ECMA-__13 : 400mm x 400mm x 20mm

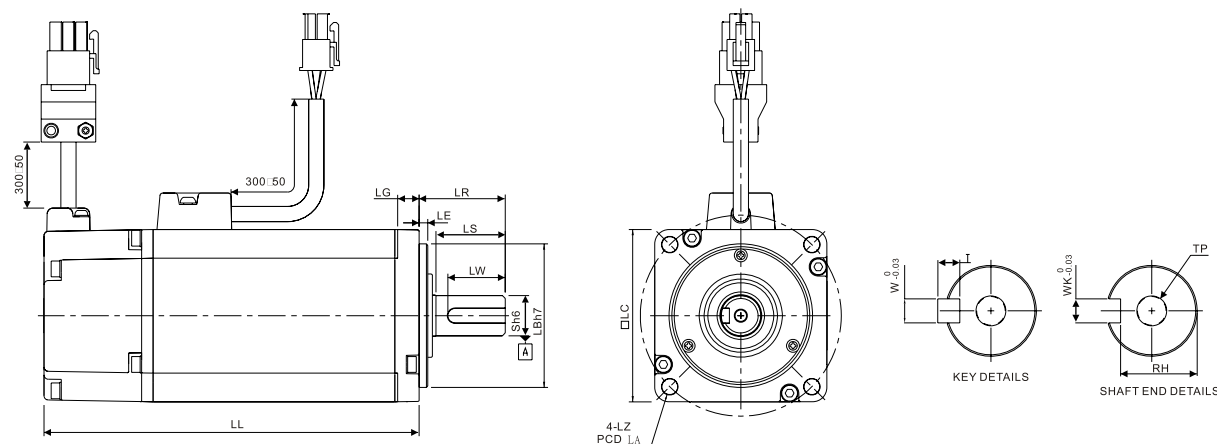
Medium / High Inertia Series

Model: ECMA Series	E213				E218		F218	G213		
	05	10	15	20	20	30	30	03	06	09
Rated output power (kW)	0.5	1.0	1.5	2.0	2.0	3.0	3.0	0.3	0.6	0.9
Rated torque (N-m) ^{*1}	2.39	4.77	7.16	9.55	9.55	14.32	19.10	2.86	5.73	8.59
Maximum torque (N-m)	7.16	14.32	21.48	28.65	28.65	42.97	57.29	8.59	17.19	21.48
Rated speed (r/min)	2000						1500	1000		
Maximum speed (r/min)	3000						2000			
Rated current (A)	2.9	5.6	8.3	11.01	11.22	16.1	19.4	2.5	4.8	7.5
Maximum current (A)	8.7	16.8	24.81	33.03	33.66	48.3	58.2	7.44	14.49	22.5
Power rating (kW/s)	7.0	27.1	45.9	62.5	26.3	37.3	66.4	10.0	39.0	66.0
Rotor moment of inertia (× 10 ⁻⁴ kg·m ²)(Without brake)	8.17	8.41	11.18	14.59	34.68	54.95	54.95	8.17	8.41	11.18
Mechanical time constant (ms)	1.91	1.51	1.11	0.96	1.62	1.06	1.28	1.84	1.40	1.07
Torque constant-KT (N-m/A)	0.83	0.85	0.87	0.87	0.85	0.89	0.98	1.15	1.19	1.15
Voltage constant-KE (mV/(r/min))	30.9	31.9	31.8	31.8	31.4	32.0	35.0	42.5	43.8	41.6
Armature resistance (Ohm)	0.57	0.47	0.26	0.174	0.119	0.052	0.077	1.06	0.82	0.43
Armature inductance (mH)	7.39	5.99	4.01	2.76	2.84	1.38	1.27	14.29	11.12	6.97
Electrical time constant (ms)	12.96	12.88	15.31	15.86	23.87	26.39	16.51	13.55	13.55	16.06
Insulation class	Class A (UL), Class B (CE)									
Insulation resistance	>100MΩ · DC 500V									
Insulation strength	1500V AC, 60 seconds									
Weight (kg) (without brake)	6.8	7.0	7.5	7.8	13.5	18.5	18.5	6.8	7.0	7.5
Weight (kg) (with brake)	8.2	8.4	8.9	9.2	17.5	22.5	22.5	8.2	8.4	8.9
Max. radial shaft load (N)	490	490	490	490	1176	1470	1470	490	490	490
Max. thrust shaft load (N)	98	98	98	98	490	490	490	98	98	98
Power rating (kW/s) (with brake)	6.4	24.9	43.1	59.7	24.1	35.9	63.9	9.2	35.9	62.1
Rotor moment of inertia (× 10 ⁻⁴ kg·m ²) (with brake)	8.94	9.14	11.90	15.88	37.86	57.06	57.06	8.94	9.14	11.9
Mechanical time constant (ms) (with brake)	2.07	1.64	1.19	1.05	1.77	1.10	1.33	2.0	1.51	1.13
Brake holding torque [Nt-m (min)]	16.5	16.5	16.5	16.5	25.0	25.0	25.0	10.0	10.0	10.0
Brake power consumption (at 20C) [W]	21.0	21.0	21.0	21.0	20.4	20.4	20.4	19.0	19.0	19.0
Brake release time [ms (Max)]	5.0	5.0	5.0	5.0	5.0	5.0	5.0	5.0	5.0	5.0
Brake pull-in time [ms (Max)]	25.0	25.0	25.0	25.0	25.0	25.0	25.0	25.0	25.0	25.0
Vibration grade (μm)	15									
Operating temperature (°C)	0 ~ 40									
Storage temperature (°C)	-10 ~ 80									
Operating humidity	20 ~ 90%RH (non-condensing)									
Storage humidity	20 ~ 90%RH (non-condensing)									
Vibration capacity	2.5G									
IP Rating	IP65 (when waterproof connectors are used, or when an oil seal is used to be fitted to the rotating shaft (an oil seal model is used))									
Approvals										

*1 Rate torque values are continuous permissible values at 0~40°C ambient temperature when attaching with the sizes of heatsinks listed below:
 *2 For the specifications of the motors with rotary magnetic encoders, please refer to the corresponding standard models.
 ECMA-__04 / 06 / 08 : 250mm x 250mm x 6mm
 ECMA-__10 : 300mm x 300mm x 12mm
 ECMA-__13 : 400mm x 400mm x 20mm

Dimensions

Motors - Frame Size 80mm and below (Units: mm)

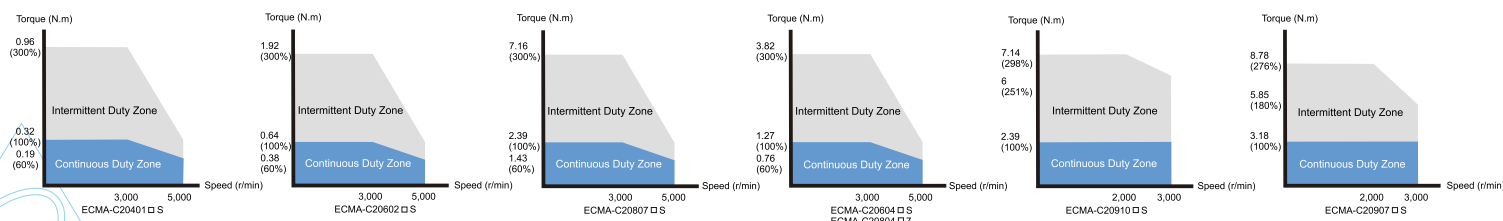


Model	C20401□S	C20602□S	C20604□S	C20804□S	C20807□S	C20907□S	C20910□S
LC	40	60	60	80	80	86	86
LZ	4.5	5.5	5.5	6.6	6.6	6.6	6.6
LA	46	70	70	90	90	100	100
S	8 ^(+0/-0.009)	14 ^(+0/-0.011)	14 ^(+0/-0.011)	14 ^(+0/-0.011)	19 ^(+0/-0.013)	16 ^(+0/-0.011)	16 ^(+0/-0.011)
LB	30 ^(+0/-0.021)	50 ^(+0/-0.025)	50 ^(+0/-0.025)	70 ^(+0/-0.030)	70 ^(+0/-0.030)	80 ^(+0/-0.030)	80 ^(+0/-0.030)
LL(Without Brake)	100.6	105.5	130.7	112.3	138.3	130.2	153.2
LL(With Brake)	136.6	141.6	166.8	152.8	178	161.3	184.3
LS(Without Oil Seal)	20	27	27	27	32	30	30
LS(With Oil Seal)	20	24	24	24.5	29.5	30	30
LR	25	30	30	30	35	35	35
LE	2.5	3	3	3	3	3	3
LG	5	7.5	7.5	8	8	8	8
LW	16	20	20	20	25	20	20
RH	6.2	11	11	11	15.5	13	13
WK	3	5	5	5	6	5	5
W	3	5	5	5	6	5	5
T	3	5	5	5	6	5	5
TP	M3 Depth 8	M4 Depth 15	M4 Depth 15	M4 Depth 15	M6 Depth 20	M5 Depth 15	M5 Depth 15

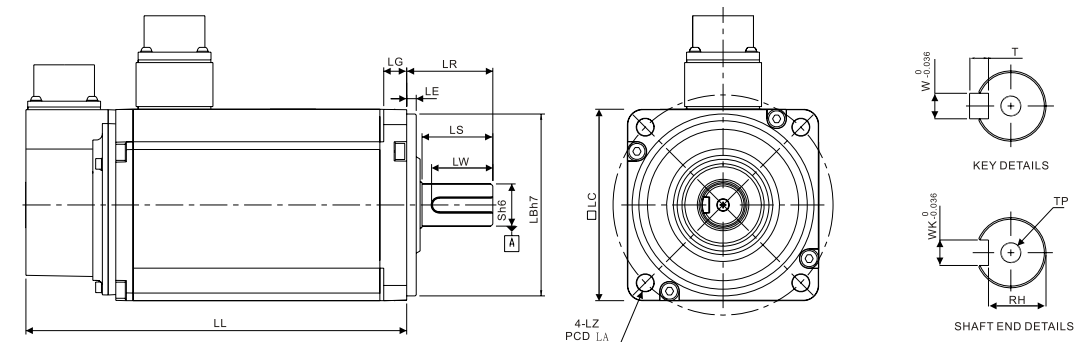
NOTE

- Dimensions are in millimeters. Weights are in kilograms (kg) and (pounds (lbs)).
- Dimensions and weights of the servo motor may be revised without prior notice.
- The boxes (□) in the model names are for optional configurations (keyway, brake and oil seal).
- Except ECMA-CM0604PS LL:116.2mm, for the specifications of the motors with rotary magnetic encoders, please refer to the corresponding standard models.

Speed-Torque Curves (T-N Curves)



Motors - Frame Size 100mm ~ 130mm (Units: mm)

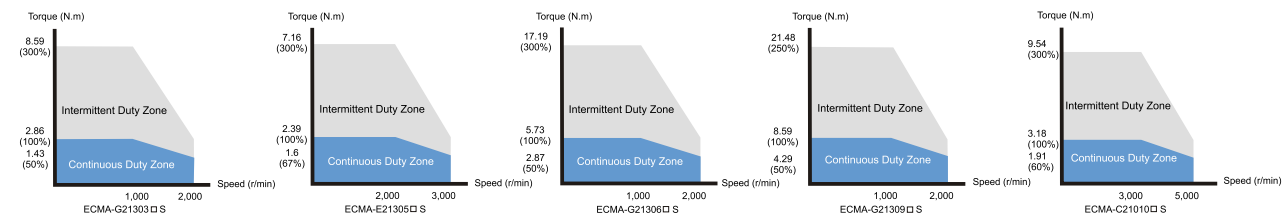


Model	G21303□S	E21305□S	G21306□S	G21309□S	C21010□S
LC	130	130	130	130	100
LZ	9	9	9	9	9
LA	145	145	145	145	115
S	22 ^(+0/-0.013)	22 ^(+0/-0.013)	22 ^(+0/-0.013)	22 ^(+0/-0.013)	22 ^(+0/-0.013)
LB	110 ^(+0/-0.035)	110 ^(+0/-0.035)	110 ^(+0/-0.035)	110 ^(+0/-0.035)	95 ^(+0/-0.035)
LL(Without Brake)	147.5	147.5	147.5	163.5	153.3
LL(With Brake)	183.5	183.5	183.5	198	192.5
LS	47	47	47	47	37
LR	55	55	55	55	45
LE	6	6	6	6	5
LG	11.5	11.5	11.5	11.5	12
LW	36	36	36	36	32
RH	18	18	18	18	18
WK	8	8	8	8	8
W	8	8	8	8	8
T	7	7	7	7	7
TP	M6 Depth 20	M6 Depth 20	M6 Depth 20	M6 Depth 20	M6 Depth 20

NOTE

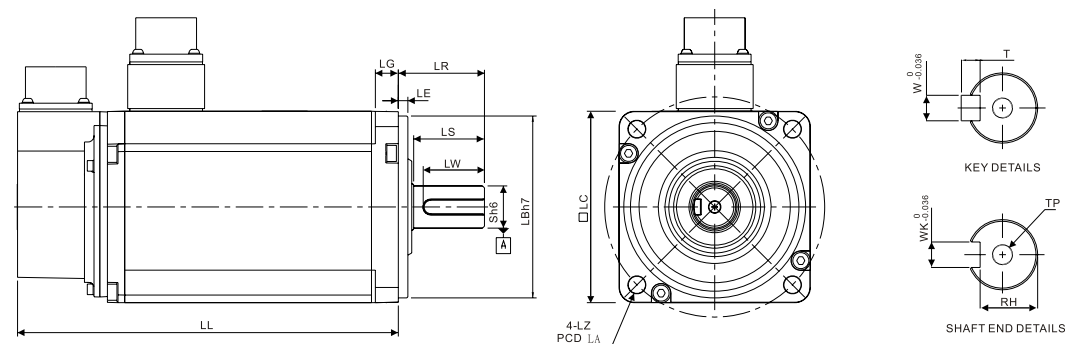
- Dimensions are in millimeters. Weights are in kilograms (kg) and (pounds (lbs)).
- Dimensions and weights of the servo motor may be revised without prior notice.
- The boxes (□) in the model names are for optional configurations (keyway, brake and oil seal).
- For the specifications of the motors with rotary magnetic encoders, please refer to the corresponding standard models.

Speed-Torque Curves (T-N Curves)



Dimensions

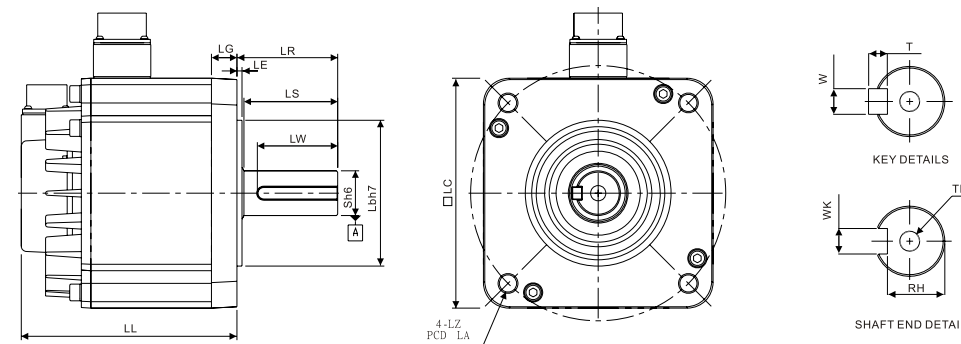
Motors - Frame Size 100mm ~ 130mm (Units: mm)



Model	E21310□S	E21315□S	C21020□S	E21320□S
LC	130	130	100	130
LZ	9	9	9	9
LA	145	145	115	145
S	22 ^(+0/-0.013)	22 ^(+0/-0.013)	22 ^(+0/-0.013)	22 ^(+0/-0.013)
LB	110 ^(+0/-0.035)	110 ^(+0/-0.035)	95 ^(+0/-0.035)	110 ^(+0/-0.035)
LL(Without Brake)	147.5	167.5	199	187.5
LL(With Brake)	183.5	202	226	216
LS	47	47	37	47
LR	55	55	45	55
LE	6	6	5	6
LG	11.5	11.5	12	11.5
LW	36	36	32	36
RH	18	18	18	18
WK	8	8	8	8
W	8	8	8	8
T	7	7	7	7
TP	M6 Depth 20	M6 Depth 20	M6 Depth 20	M6 Depth 20

NOTE 1. Dimensions are in millimeters. Weights are in kilograms (kg) and (pounds)(lbs).
 2. Dimensions and weights of the servo motor may be revised without prior notice.
 3. The boxes (□) in the model names are for optional configurations (keyway, brake and oil seal).

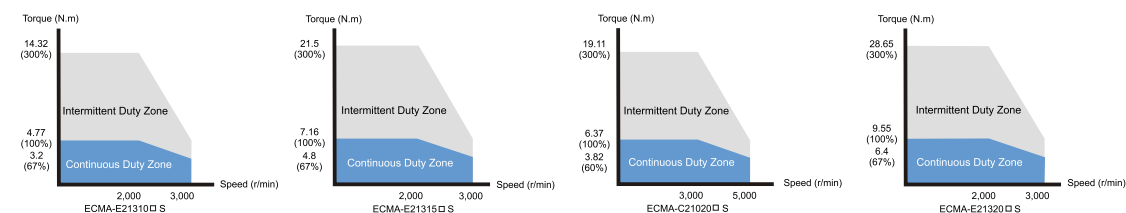
Motors - Frame Size 180mm and above (Units: mm)



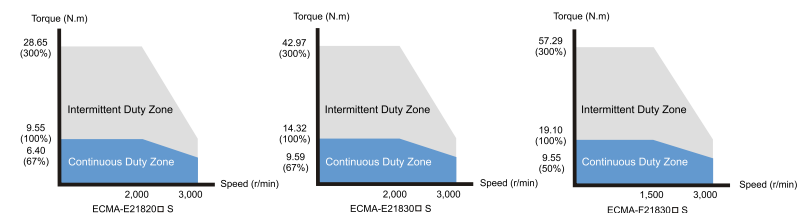
Model	E21820□S	E21830□S	F21830□S
LC	180	180	180
LZ	13.5	13.5	13.5
LA	200	200	200
S	35 ^(+0/-0.016)	35 ^(+0/-0.016)	35 ^(+0/-0.016)
LB	114.3 ^(+0/-0.035)	114.3 ^(+0/-0.035)	114.3 ^(+0/-0.035)
LL(Without Brake)	169	202.1	202.1
LL(With Brake)	203.1	235.3	235.3
LS	73	73	73
LR	79	79	79
LE	4	4	4
LG	20	20	20
LW	63	63	63
RH	30	30	30
WK	10 ^{0/-0.036}	10 ^{0/-0.036}	10 ^{0/-0.036}
W	10 ^{0/-0.036}	10 ^{0/-0.036}	10 ^{0/-0.036}
T	8	8	8
TP	M12 Depth 25	M12 Depth 25	M12 Depth 25

NOTE 1. Dimensions are in millimeters. Weights are in kilograms (kg) and (pounds)(lbs).
 2. Dimensions and weights of the servo motor may be revised without prior notice.
 3. The boxes (□) in the model names are for optional configurations (keyway, brake and oil seal).

Speed-Torque Curves (T-N Curves)



Speed-Torque Curves (T-N Curves)



ASDA-B2 Optional Accessories

Optional Units

Power Cable

- 3m and 5m standard cables are available.
- Customized service is offering to meet the needs of the customers.
- Two types are selectable: with brake and without brake.



CN1 I/O Connector

- Used to connect to external (host) controller



Encoder Cable

- 3m and 5m standard cables are available.
- Customized service is offering to meet the needs of the customers.



Regenerative Resistor

- 400W/40Ohm and 1kW/20Ohm two kinds of specifications are available.
- 4 Regarding the selection of regenerative resistor, please refer to the table of regenerative resistor specifications on catalogue page 12.



RS-485 Connector

- Used to connect multiple Delta ASDA series products by RS-485 interface through Modbus serial communication.



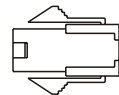
ASD-Soft Software Communication Cable (for PC)



ASDA-B2 Optional Accessories

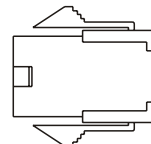
Power Connector

ASDBCAPW0000



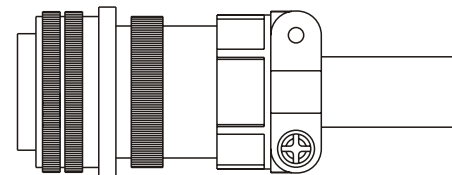
Title	Part No.	Manufacturer
Housing	C4201H00-2*2PA	JOWLE
Terminal	C4201TOP-2	JOWLE

ASDBCAPW0100



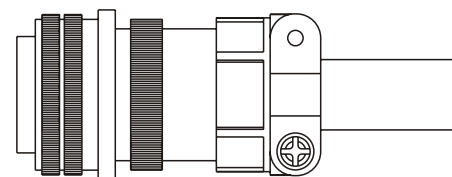
Title	Part No.	Manufacturer
Housing	C4201H00-2*3PA	JOWLE
Terminal	C4201TOP-2	JOWLE

ASD-CAPW1000



MS 3106A-20-18S

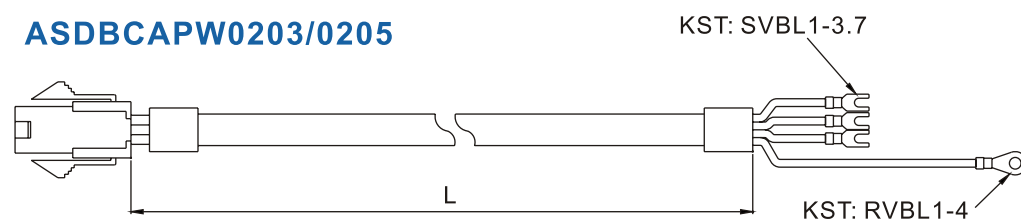
ASD-CAPW2000



MS 3106A-24-11S

Power Cable

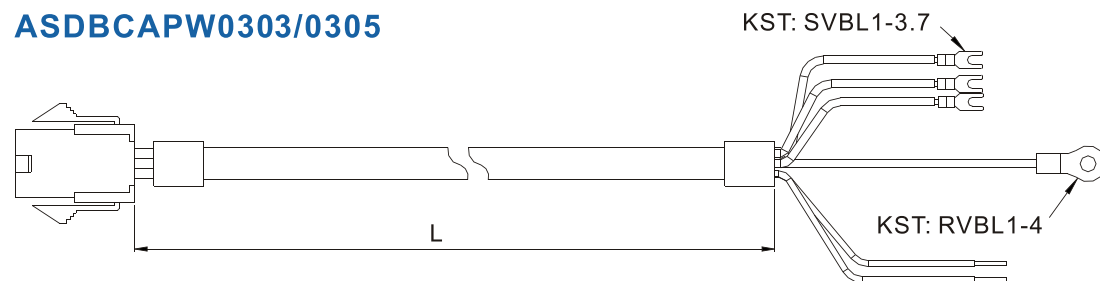
ASDBCAPW0203/0205



Title	Part No.	Manufacturer
Housing	C4201H00-2*2PA	JOWLE
Terminal	C4201TOP-2	JOWLE

Title	Part No.	mm	L	inch
1	ASDBCAPW0203	3000 □ 50		118 □ 2
2	ASDBCAPW0205	5000 □ 50		197 □ 2

ASDBCAPW0303/0305

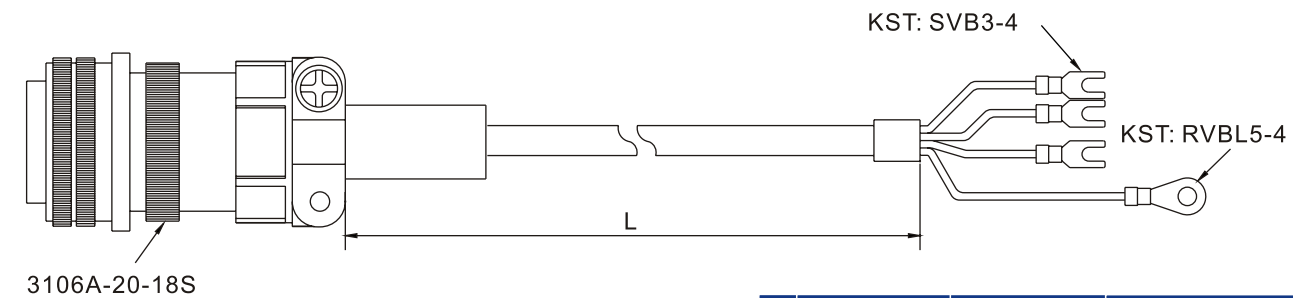


Title	Part No.	Manufacturer
Housing	C4201H00-2*3PA	JOWLE
Terminal	C4201TOP-2	JOWLE

Title	Part No.	mm	L	inch
1	ASDBCAPW0303	3000 □ 50		118 □ 2
2	ASDBCAPW0305	5000 □ 50		197 □ 2

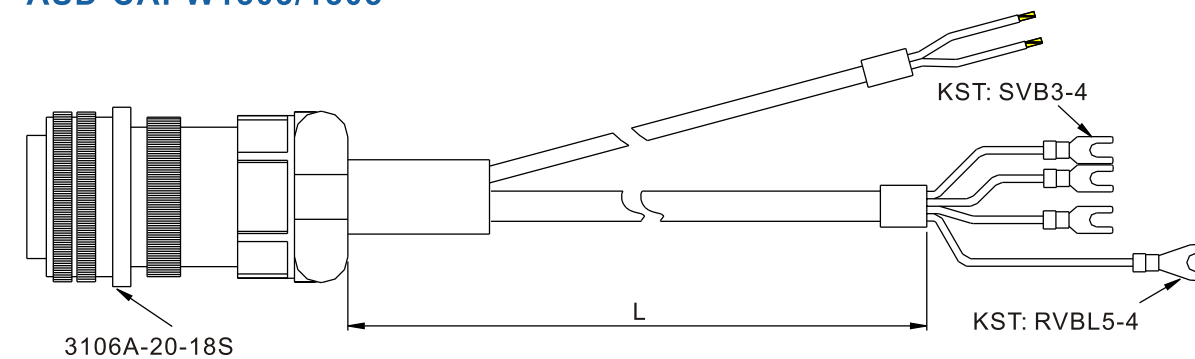
Power Cable

ASD-CAPW1203/1205



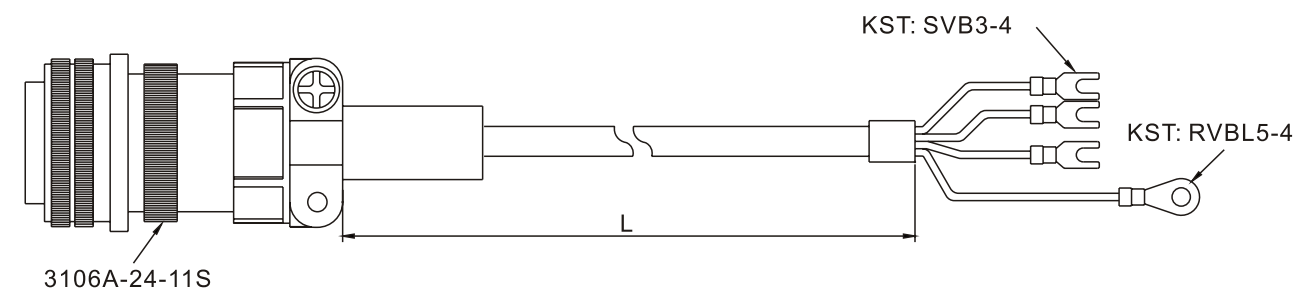
Title	Part No.	Straight	mm	L	inch
1	ASD-CAPW1203	3106A-20-18S	3000 □ 50		118 □ 2
2	ASD-CAPW1205	3106A-20-18S	5000 □ 50		197 □ 2

ASD-CAPW1303/1305



Title	Part No.	Straight	mm	L	inch
1	ASD-CAPW1303	3106A-20-18S	3000 □ 50		118 □ 2
2	ASD-CAPW1305	3106A-20-18S	5000 □ 50		197 □ 2

ASD-CAPW2203/2205

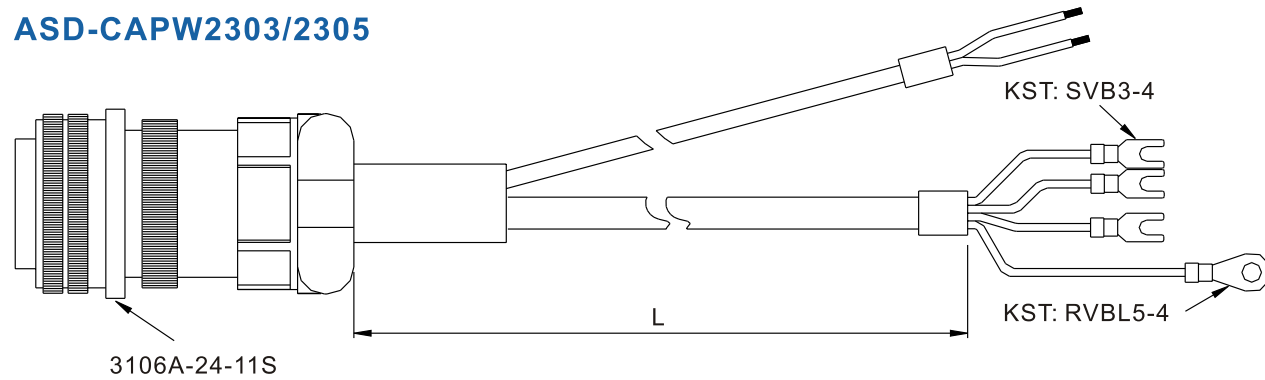


Title	Part No.	Straight	mm	L	inch
1	ASD-CAPW2203	3106A-24-11S	3000 □ 50		118 □ 2
2	ASD-CAPW2205	3106A-24-11S	5000 □ 50		197 □ 2

ASDA-B2 Optional Accessories

Power Cable

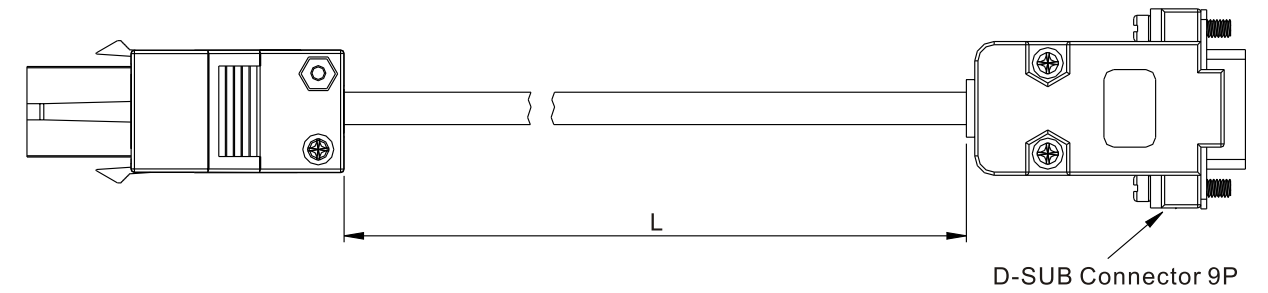
ASD-CAPW2303/2305



Title	Part No.	Straight	L	
			mm	inch
1	ASD-CAPW2303	3106A-24-11S	3000 ±50	118 ±2
2	ASD-CAPW2305	3106A-24-11S	5000 ±50	197 ±2

Encoder Cable

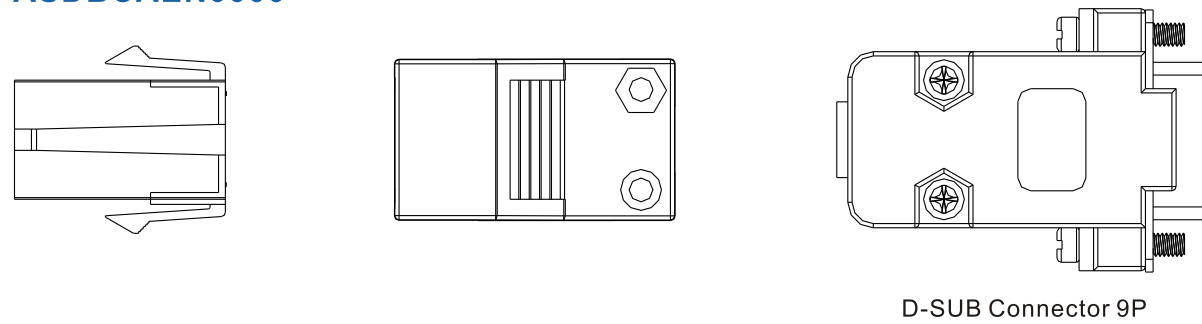
ASDBCAEN0003/0005



Title	Part No.	L		Title	Part No.	Manufacturer
		mm	inch			
1	ASDBCAEN0003	3000 ±50	118 ±2	Housing	AMP(1-172161-9)	AMP
2	ASDBCAEN0005	5000 ±50	197 ±2	Terminal	AMP(170359-3)	AMP
				CLAMP	DELTA(34703237XX)	DELTA

Encoder Connector

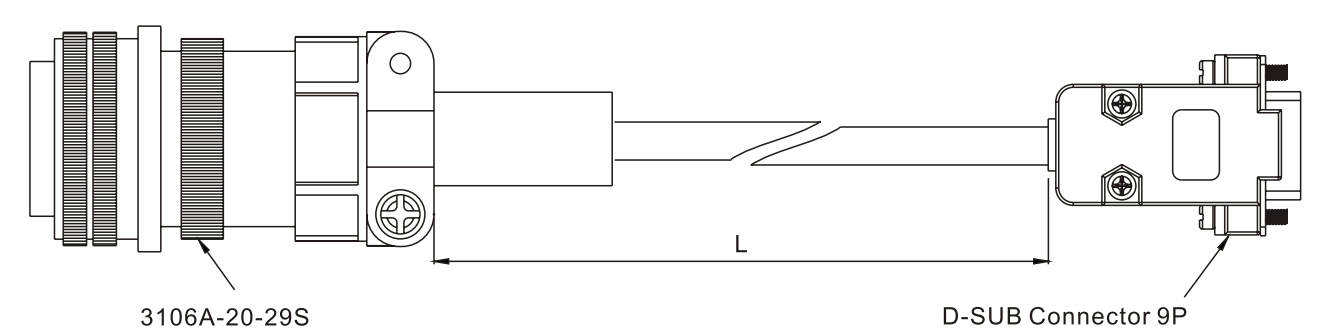
ASDBCAEN0000



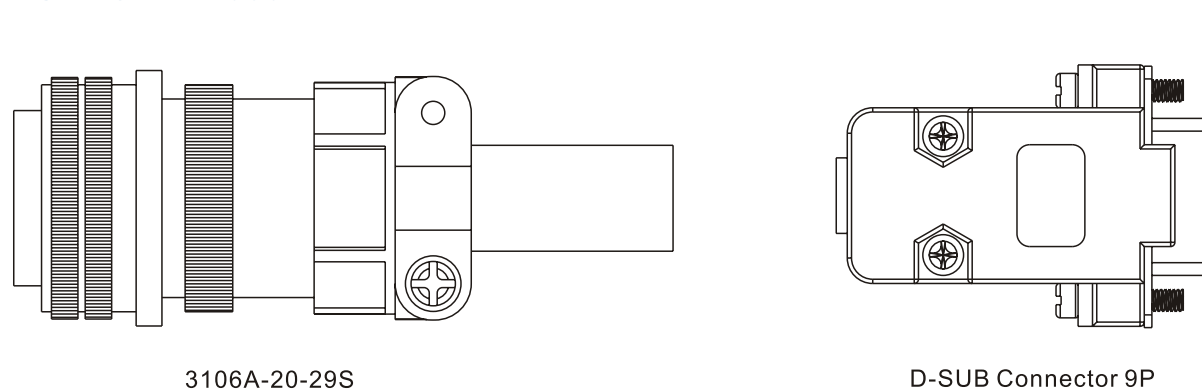
Title	Part No.	Manufacturer
Housing	AMP(1-172161-9)	AMP
Terminal	AMP(170359-3)	AMP
CLAMP	DELTA(34703237XX)	DELTA

Encoder Cable

ASDBCAEN1003/1005

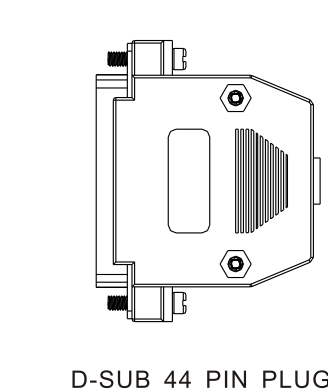


ASDBCAEN1000



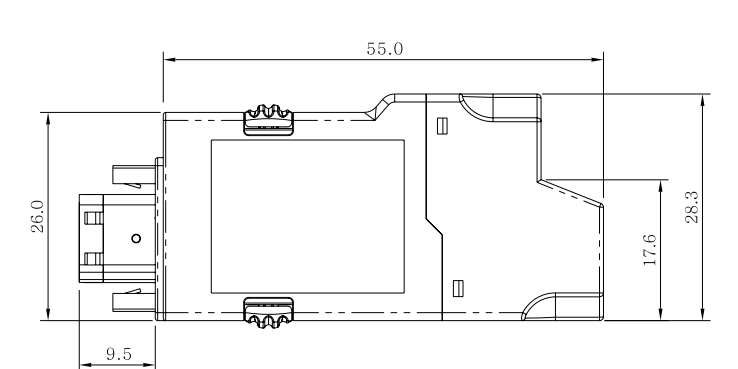
I/O Signal Connector

ASDBCNDS0044



RS-485 Connector

ASD-CNIEOB06



NOTE The other accessories will be available soon. For the actual appearance of the accessories, please refer to the actual ordering product.

Accessories Combinations

● Servo Drive, Servo Motor and Accessories Combinations

100 W Servo Drive and 100W Low Inertia Servo Motor (ECMA Series)

Servo Drive	ASD-B2-0121-B			
Low Inertia Servo Motor	ECMA-C20401□S			
Cable	Without Brake		With Brake	
	3M	5M	3M	5M
	Motor Power Cable ASDBCAPW0203	Motor Power Cable ASDBCAPW0205	Motor Power Cable ASDBCAPW0303	Motor Power Cable ASDBCAPW0305
	Encoder Cable ASDBCAEN0003	Encoder Cable ASDBCAEN0005	Encoder Cable ASDBCAEN0003	Encoder Cable ASDBCAEN0005
Connector	Power Connector ASDBCAPW0000			
	Encoder Connector ASDBCAEN0000			

200W Servo Drive and 200W Low Inertia Servo Motor

Servo Drive	ASD-B2-0221-B			
Low Inertia Servo Motor	ECMA-C20602□S			
Cable	Without Brake		With Brake	
	3M	5M	3M	5M
	Motor Power Cable ASDBCAPW0203	Motor Power Cable ASDBCAPW0205	Motor Power Cable ASDBCAPW0303	Motor Power Cable ASDBCAPW0305
	Encoder Cable ASDBCAEN0003	Encoder Cable ASDBCAEN0005	Encoder Cable ASDBCAEN0003	Encoder Cable ASDBCAEN0005
Connector	Power Connector ASDBCAPW0000		Power Connector ASDBCAPW0100	
	Encoder Connector ASDBCAEN0000			

400W Servo Drive and 400W Low Inertia Servo Motor

Servo Drive	ASD-B2-0421-B			
Low Inertia Servo Motor	ECMA-C20604□S ECMA-C20804□7 ECMA-CM0604PS			
Cable	Without Brake		With Brake	
	3M	5M	3M	5M
	Motor Power Cable ASDBCAPW0203	Motor Power Cable ASDBCAPW0205	Motor Power Cable ASDBCAPW0303	Motor Power Cable ASDBCAPW0305
	Encoder Cable ASDBCAEN0003	Encoder Cable ASDBCAEN0005	Encoder Cable ASDBCAEN0003	Encoder Cable ASDBCAEN0005
Connector	Power Connector ASDBCAPW0000		Power Connector ASDBCAPW0100	
	Encoder Connector ASDBCAEN0000			

400W Servo Drive and 500W Medium Inertia Servo Motor

Servo Drive	ASD-B2-0421-B			
Medium Inertia Servo Motor	ECMA-E21305□S			
Cable	Without Brake		With Brake	
	3M	5M	3M	5M
	Motor Power Cable ASDBCAPW1203	Motor Power Cable ASDBCAPW1205	Motor Power Cable ASDBCAPW1303	Motor Power Cable ASDBCAPW1305
	Encoder Cable ASDBCAEN1003	Encoder Cable ASDBCAEN1005	Encoder Cable ASDBCAEN1003	Encoder Cable ASDBCAEN1005
Connector	Power Connector ASDBCAPW1000			
	Encoder Connector ASDBCAEN1000			

400W Servo Drive and 300W High Inertia Servo Motor

Servo Drive	ASD-B2-0421-B			
High Inertia Servo Motor	ECMA-G21303□S			
Cable	Without Brake		With Brake	
	3M	5M	3M	5M
	Motor Power Cable ASD-CAPW1203	Motor Power Cable ASD-CAPW1205	Motor Power Cable ASD-CAPW1303	Motor Power Cable ASD-CAPW1305
	Encoder Cable ASDBCAEN1003	Encoder Cable ASDBCAEN1005	Encoder Cable ASDBCAEN1003	Encoder Cable ASDBCAEN1005
Connector	Power Connector ASD-CAPW1000			
	Encoder Connector ASDBCAEN1000			

750W Servo Drive and 750W Low Inertia Servo Motor

Servo Drive	ASD-B2-0721-B			
Low Inertia Servo Motor	ECMA-C20807□S ECMA-C20907□S			
Cable	Without Brake		With Brake	
	3M	5M	3M	5M
	Motor Power Cable ASDBCAPW0203	Motor Power Cable ASDBCAPW0205	Motor Power Cable ASDBCAPW0303	Motor Power Cable ASDBCAPW0305
	Encoder Cable ASDBCAEN0003	Encoder Cable ASDBCAEN0005	Encoder Cable ASDBCAEN0003	Encoder Cable ASDBCAEN0005
Connector	Power Connector ASDBCAPW0000		Power Connector ASDBCAPW0100	
	Encoder Connector ASDBCAEN0000			

Accessories Combinations

● Servo Drive, Servo Motor and Accessories Combinations

7750W Servo Drive and 600W High Inertia Servo Motor

Servo Drive	ASD-B2-0721-B			
High Inertia Servo Motor	ECMA-G21306□S ECMA-GM1306PS			
Cable	Without Brake		With Brake	
	3M	5M	3M	5M
	Motor Power Cable ASD-CAPW1203	Motor Power Cable ASD-CAPW1205	Motor Power Cable ASD-CAPW1303	Motor Power Cable ASD-CAPW1305
	Encoder Cable ASDBCAEN1003	Encoder Cable ASDBCAEN1005	Encoder Cable ASDBCAEN1003	Encoder Cable ASDBCAEN1005
Connector	Power Connector ASD-CAPW1000			
	Encoder Connector ASDBCAEN1000			

1kW Servo Drive and 1kW Low Inertia Servo Motor

Servo Drive	ASD-B2-1021-B			
Low Inertia Servo Motor	ECMA-C21010□S ECMA-C20910□S			
Cable	Without Brake		With Brake	
	3M	5M	3M	5M
	Motor Power Cable ASD-CAPW1203	Motor Power Cable ASD-CAPW1205	Motor Power Cable ASD-CAPW1303	Motor Power Cable ASD-CAPW1305
	Encoder Cable ASDBCAEN1003	Encoder Cable ASDBCAEN1005	Encoder Cable ASDBCAEN1003	Encoder Cable ASDBCAEN1005
Connector	Power Connector ASDBCAPW1000			
	Encoder Connector ASDBCAEN1000			

1kW Servo Drive and 1kW Medium Inertia Servo Motor

Servo Drive	ASD-B2-1021-B			
Medium Inertia Servo Motor	ECMA-E21310□S			
Cable	Without Brake		With Brake	
	3M	5M	3M	5M
	Motor Power Cable ASD-CAPW1203	Motor Power Cable ASD-CAPW1205	Motor Power Cable ASD-CAPW1303	Motor Power Cable ASD-CAPW1305
	Encoder Cable ASDBCAEN1003	Encoder Cable ASDBCAEN1005	Encoder Cable ASDBCAEN1003	Encoder Cable ASDBCAEN1005
Connector	Power Connector ASD-CAPW1000			
	Encoder Connector ASDBCAEN1000			

1kW Servo Drive and 900W High Inertia Servo Motor

Servo Drive	ASD-B2-1021-B			
High Inertia Servo Motor	ECMA-G21309□S ECMA-GM1309PS			
Cable	Without Brake		With Brake	
	3M	5M	3M	5M
	Motor Power Cable ASD-CAPW1203	Motor Power Cable ASD-CAPW1205	Motor Power Cable ASD-CAPW1303	Motor Power Cable ASD-CAPW1305
	Encoder Cable ASDBCAEN1003	Encoder Cable ASDBCAEN1005	Encoder Cable ASDBCAEN1003	Encoder Cable ASDBCAEN1005
Connector	Power Connector ASD-CAPW1000			
	Encoder Connector ASDBCAEN1000			

1.5kW Servo Drive and 1.5kW Medium Inertia Servo Motor

Servo Drive	ASD-B2-1521-B			
Medium Inertia Servo Motor	ECMA-E21315□S			
Cable	Without Brake		With Brake	
	3M	5M	3M	5M
	Motor Power Cable ASD-CAPW1203	Motor Power Cable ASD-CAPW1205	Motor Power Cable ASD-CAPW1303	Motor Power Cable ASD-CAPW1305
	Encoder Cable ASDBCAEN1003	Encoder Cable ASDBCAEN1005	Encoder Cable ASDBCAEN1003	Encoder Cable ASDBCAEN1005
Connector	Power Connector ASD-CAPW1000			
	Encoder Connector ASDBCAEN1000			

2kW Servo Drive and 2kW Low Inertia Servo Motor

Servo Drive	ASD-B2-2023-B			
Low Inertia Servo Motor	ECMA-C21020□S			
Cable	Without Brake		With Brake	
	3M	5M	3M	5M
	Motor Power Cable ASD-CAPW1203	Motor Power Cable ASD-CAPW1205	Motor Power Cable ASD-CAPW1303	Motor Power Cable ASD-CAPW1305
	Encoder Cable ASDBCAEN1003	Encoder Cable ASDBCAEN1005	Encoder Cable ASDBCAEN1003	Encoder Cable ASDBCAEN1005
Connector	Power Connector ASD-CAPW1000			
	Encoder Connector ASDBCAEN1000			

Accessories Combinations

● Servo Drive, Servo Motor and Accessories Combinations

2kW Servo Drive and 2kW Medium Inertia Servo Motor

Servo Drive	ASD-B2-2023-B			
Medium Inertia Servo Motor	ECMA-E21320□S			
Cable	Without Brake		With Brake	
	3M	5M	3M	5M
Motor Power Cable	ASD-CAPW1203	ASD-CAPW1205	ASD-CAPW1303	ASD-CAPW1305
Encoder Cable	ASDBCAEN1003	ASDBCAEN1005	ASDBCAEN1003	ASDBCAEN1005
Connector	Power Connector ASD-CAPW1000			
	Encoder Connector ASDBCAEN1000			

Servo Drive	ASD-B2-2023-B			
Medium Inertia Servo Motor	ECMA-E21820□S			
Cable	Without Brake		With Brake	
	3M	5M	3M	5M
Motor Power Cable	ASD-CAPW2203	ASD-CAPW2205	ASD-CAPW2303	ASD-CAPW2305
Encoder Cable	ASDBCAEN1003	ASDBCAEN1005	ASDBCAEN1003	ASDBCAEN1005
Connector	Power Connector ASDBCAPW2000			
	Encoder Connector ASDBCAEN1000			

3kW Servo Drive and 3kW Medium Inertia Servo Motor

Servo Drive	ASD-B2-3023-B			
Medium Inertia Servo Motor	ECMA-E21830□S			
Cable	Without Brake		With Brake	
	3M	5M	3M	5M
Motor Power Cable	ASD-CAPW2203	ASD-CAPW2205	ASD-CAPW2303	ASD-CAPW2305
Encoder Cable	ASDBCAEN1003	ASDBCAEN1005	ASDBCAEN1003	ASDBCAEN1005
Connector	Power Connector ASD-CAPW2000			
	Encoder Connector ASDBCAEN1000			

Servo Drive	ASD-B2-3023-B			
Medium Inertia Servo Motor	ECMA-F21830□S			
Cable	Without Brake		With Brake	
	3M	5M	3M	5M
Motor Power Cable	ASD-CAPW2203	ASD-CAPW2205	ASD-CAPW2303	ASD-CAPW2305
Encoder Cable	ASDBCAEN1003	ASDBCAEN1005	ASDBCAEN1003	ASDBCAEN1005
Connector	Power Connector ASDBCAPW2000			
	Encoder Connector ASDBCAEN1000			

